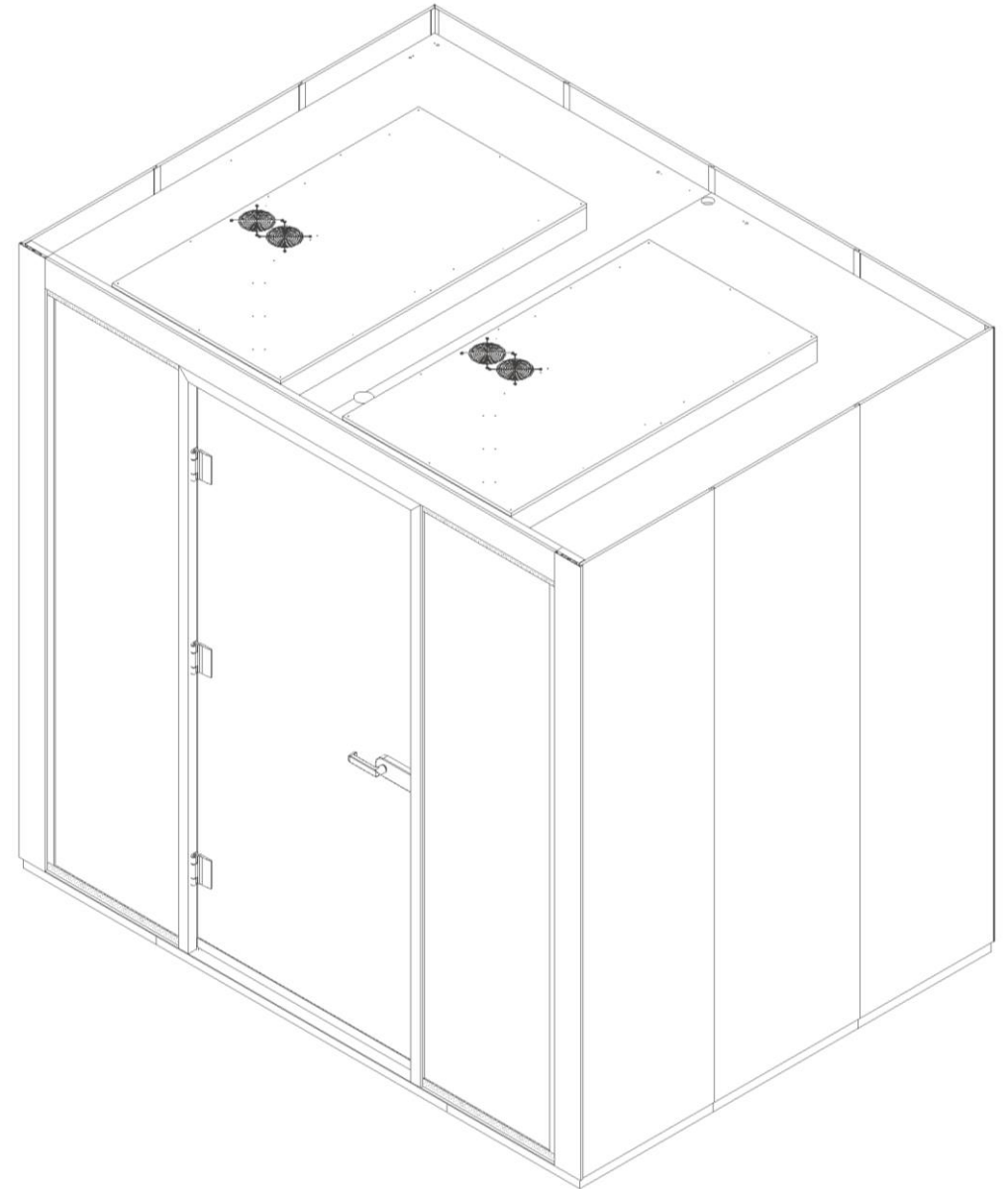


# POD INSTALL MANUAL

## Connect 4



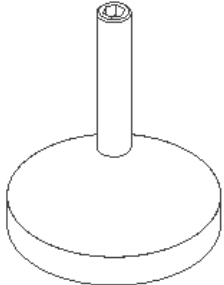
# Partslist

Item	Part	#
1	JUUNOO – I module	7
2	JUUNOO - C module	6
3	Exterior - Click Panel – Standard	4
4	Exterior - Click Panel – Groove-Miter	3
5	Exterior - Click Panel – Tooth-Miter	3
6	glass door leaf 10 mm - 3/8" Hardened	1
7	JUUNOO - Floor panel 55x55	4
8	JUUNOO - Floor panel 60x55	2
9	JUUNOO - Floor panel 120x55	2
10	JUUNOO - Floor panel 120x60	1
11	JUUNOO - Ceiling panel (CON4)	2
12	JUUNOO - Ventilight 60 box (Ventilation + Lighting)	2
13	JUUNOO - Aluminium profiles set (Door, glass frame, plinth)	1
14	Interior - felt panels (1-2-3-4-5-6)	6
15	Door hinge – matte black	3
16	3-way Cable splitter	2

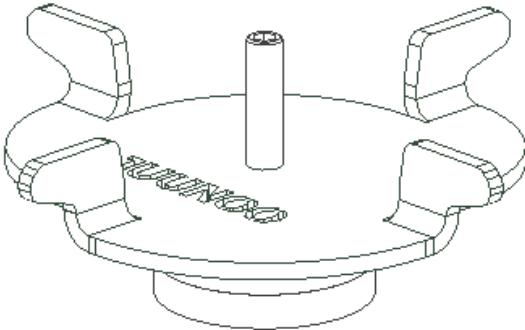
Item	Part	#
17	Light sensor(resistive) + connectors	1
18	1 m (39-1/4") extension cable + connectors	1
19	4 m (157-1/2") extension cable + connectors	1
20	5 m (197") Power supply cable	1
21 A	Carpet tiles + tape stickers	16
21 B	Doorlock + lever	1
23	Power outlet (US) + USB-A & USB-C	1
24	Power outlet (EU) + USB-A	1
25	Adhesive foam rubber seal	1 roll
26	Leveling foot	6
27	JUUNOO - leveling foot	14
28	JUUNOO - Table set (CON4)	1
29	hardware (screw) kit (CON4)	1
30	dropseal glass door + cover	1
31	JUUNOO - Acoustic foam hex panels	28
32	JUUNOO – floor mending plate 50x100	8

# Included hardware

Generic leveling foot



JUUNOO leveling foot



Glass hinge

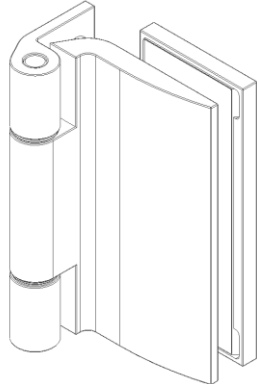
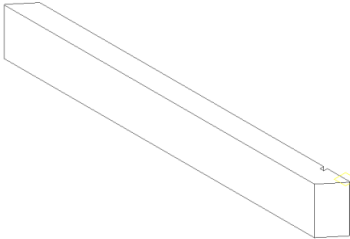
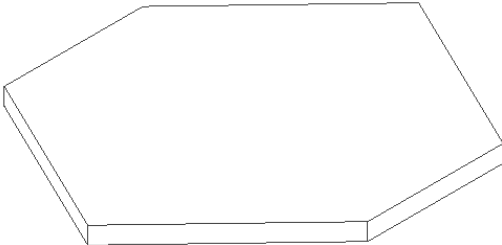


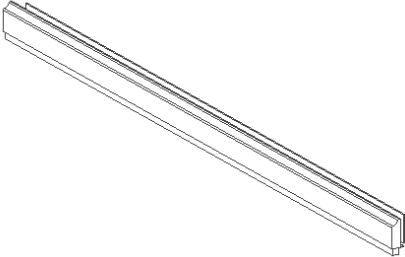
Table support bracket



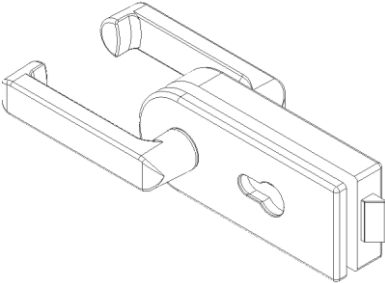
Hexagon foam panel



Dropseal

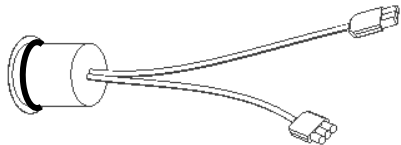


Door handle



# Electronic hardware

Light sensor switch



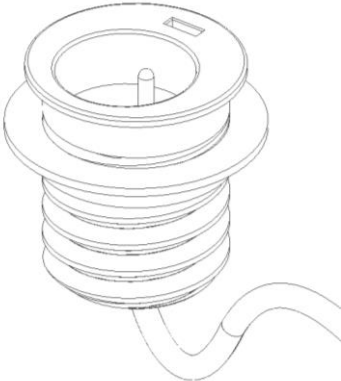
Electric cabling



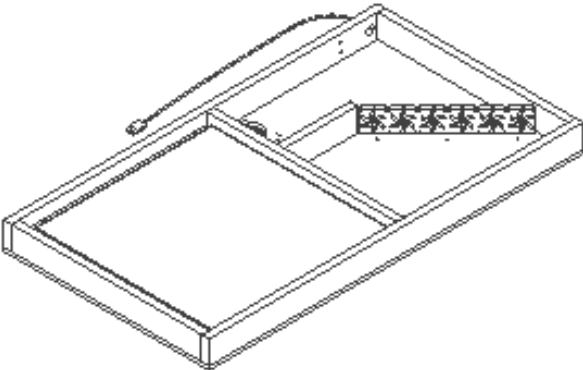
Cable splitter



Power outlet

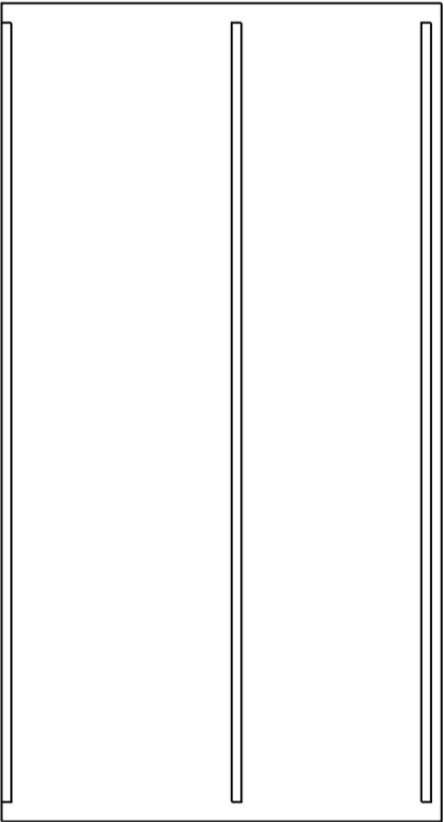


Ventilight (= Ventilation and lighting unit)

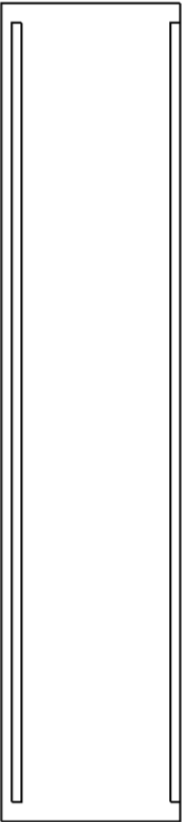


# Interior felt panels

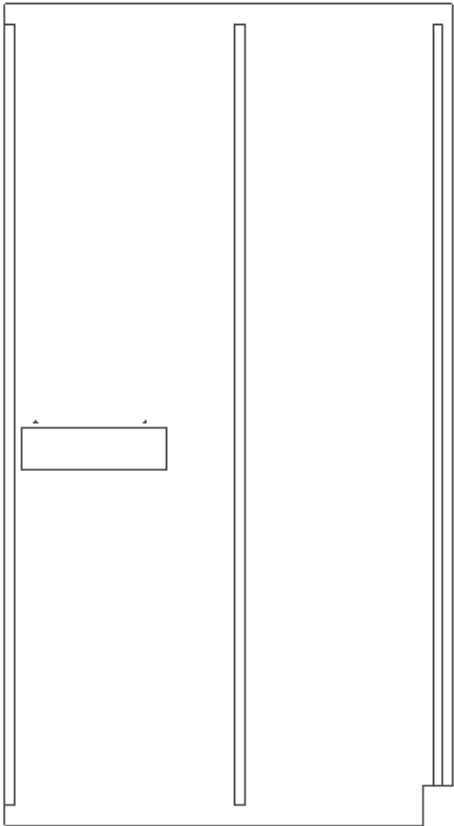
1



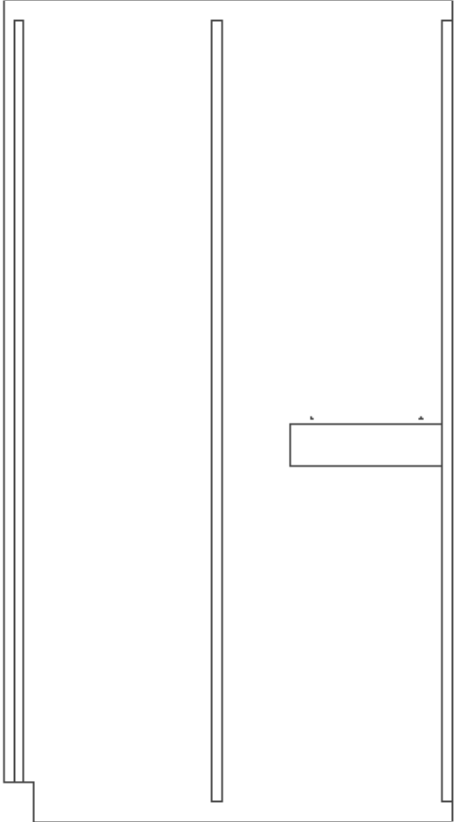
2



3



4



# Tools

Tool
Allen key set (Nr 1 to 4)
Screw machine
Drill machine
Metal drill 3 mm
Level / laser
Rubber mallet
Step up (small stairs)
Cutting tool (knife)

Note: It is advised to build this pod with 2 people minimum.

# Screws

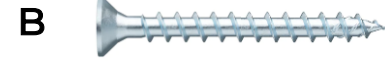
32 x wood screw countersunk

3.5 x 16 mm – T20  
#6 x 5/8" – T20



95 x wood screw countersunk

3.5 x 35 mm – T20  
#6 x 1-3/8" – T20



7 x wood screw countersunk

3.5 x 50 mm – T20  
#6 x 2" – T20



16 x Self drilling screw countersunk

3.9 x 25 mm – T15  
#8 x 1" – T15



29 x self tapping countersunk

3.9 x 13 mm – T20  
#8 x 1/2" – T20



12 x Wooden Dowel

8 x 40 mm  
5/16" x 1-9/16"



4 x White panhead screw

4 x 60 mm – T20  
#8 x 2-1/4" – T20

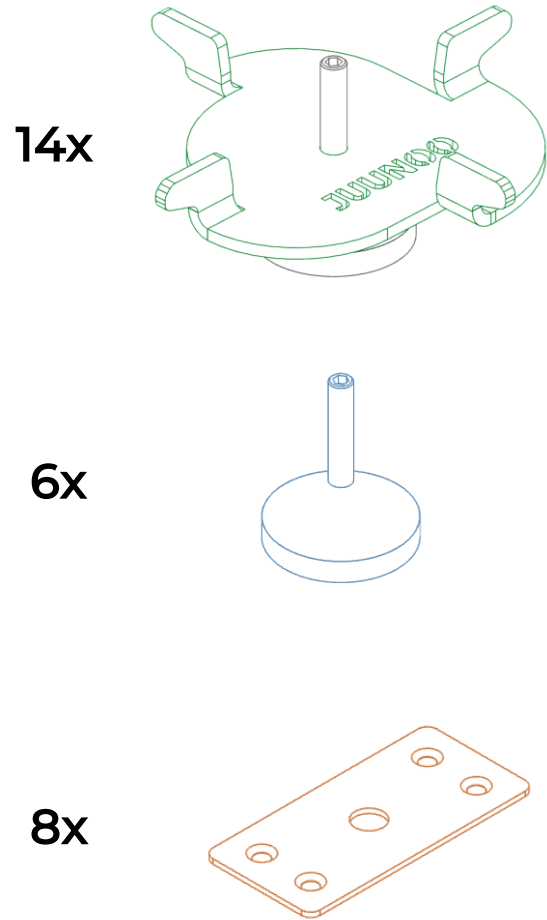


6 x self tapping panhead

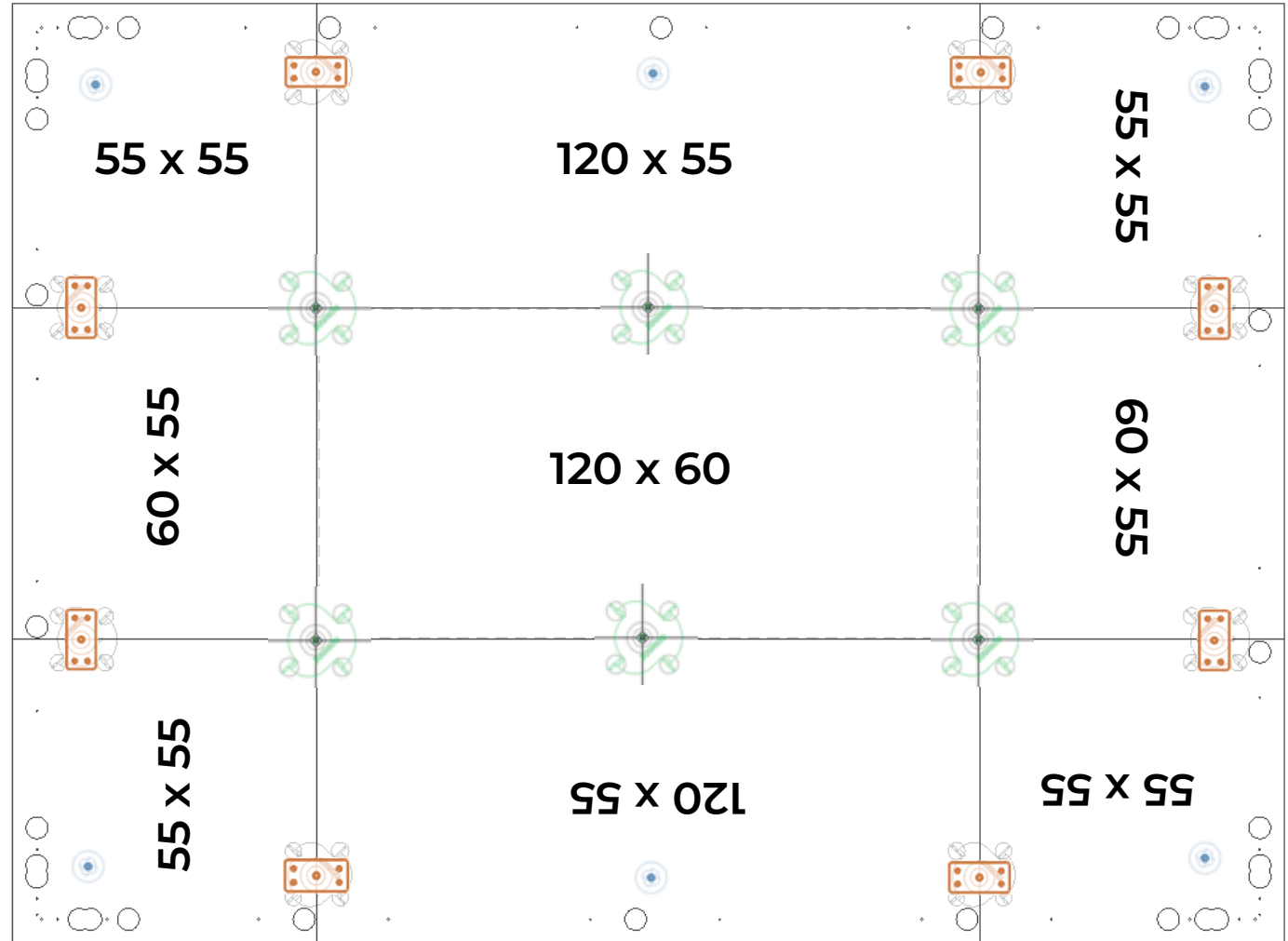
3.9 x 38 mm – T15  
#8 x 1-1/2" – T15



# 1 Lay out the floor tiles



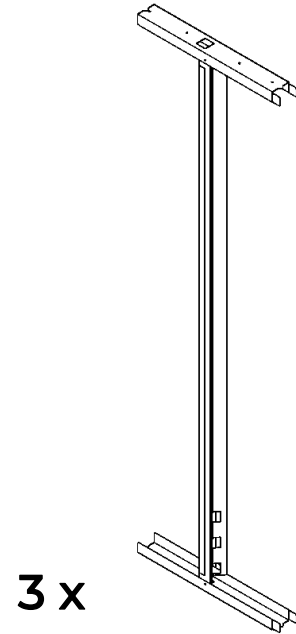
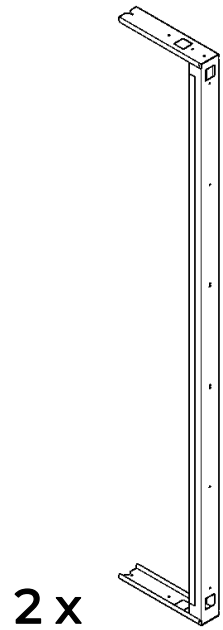
Floor grid: Connect 4



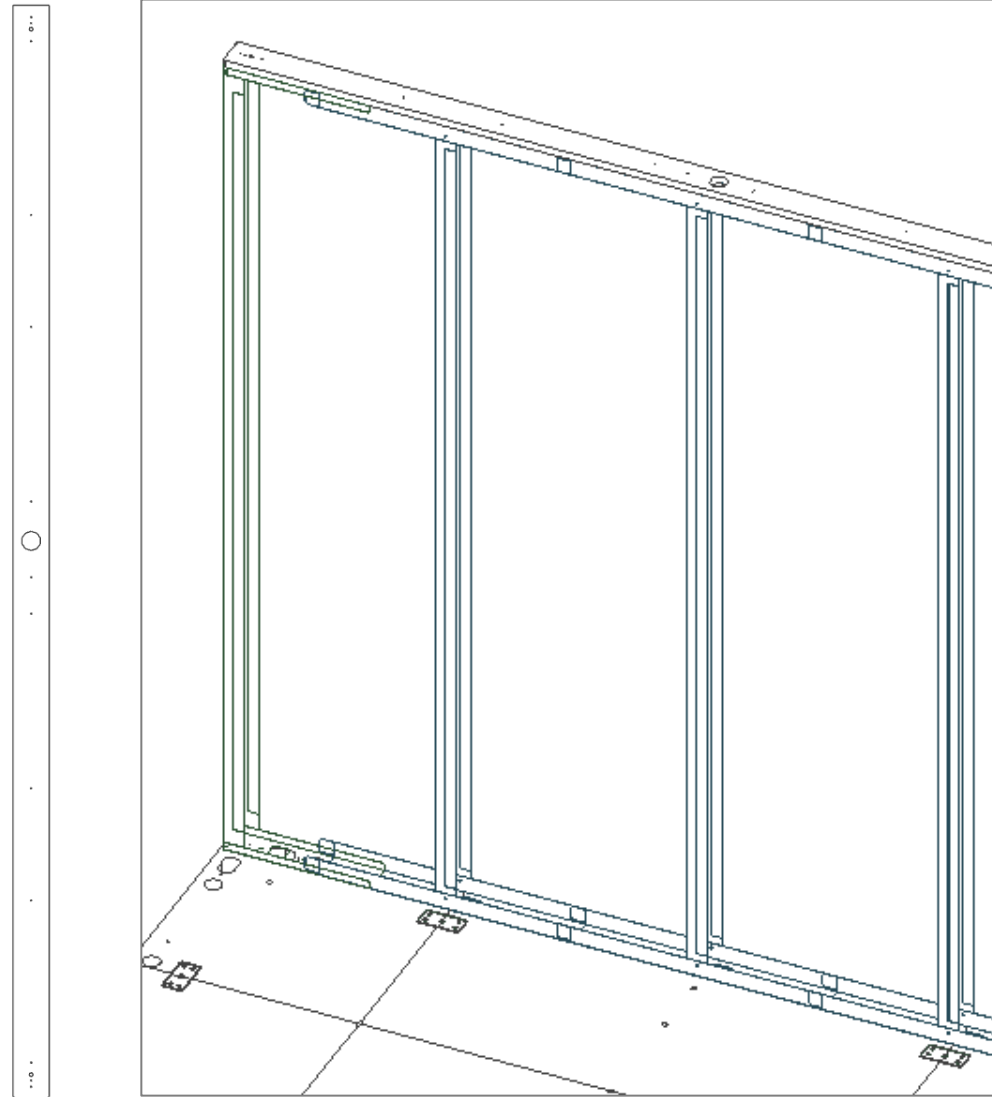


## 2 Install the rear wall

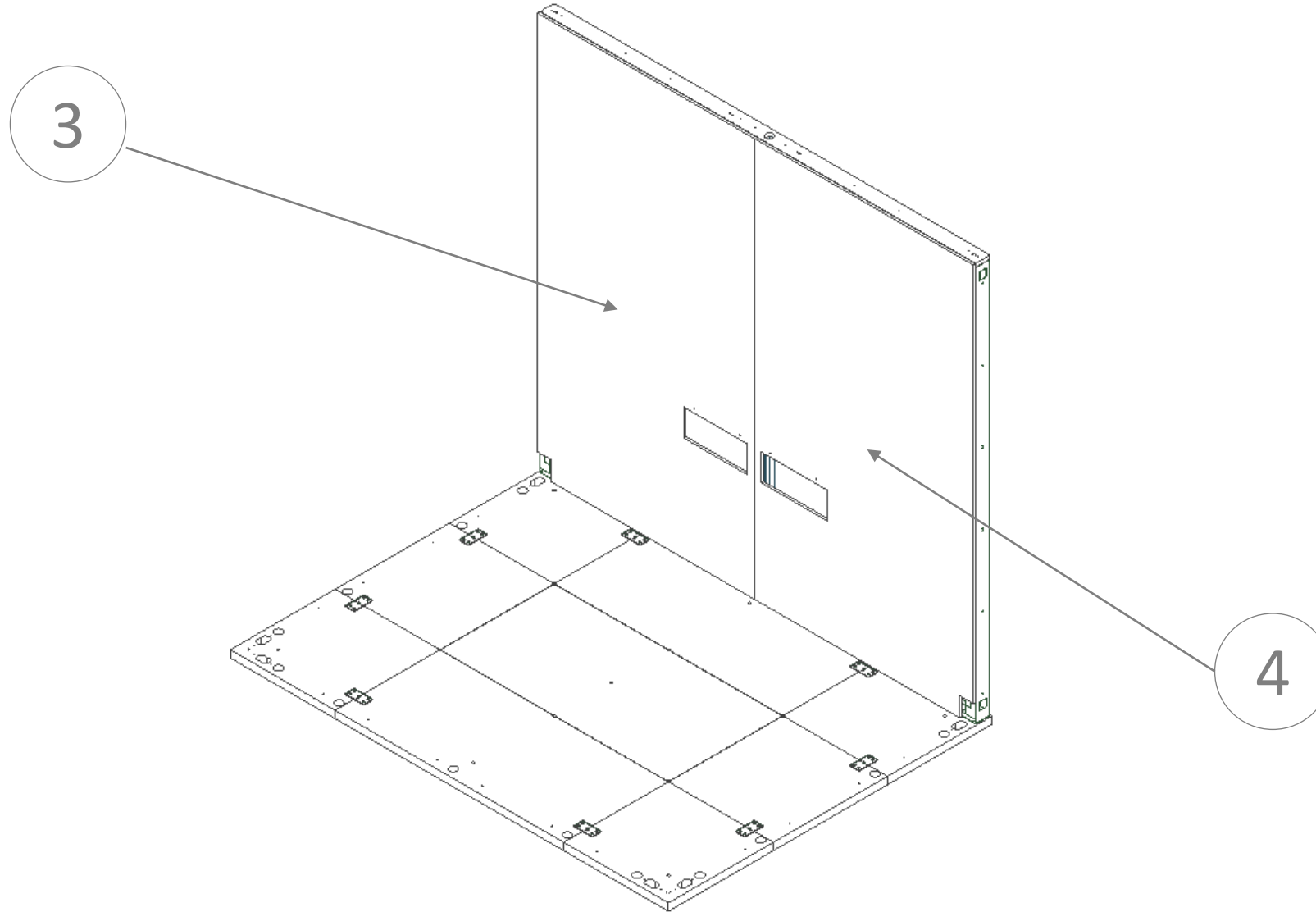
1. Prepare the module rear wall flat on the floor **GP: E-F-G**
2. Flip vertically and mount the wall on the floor panels **GP: H-I**



1 x

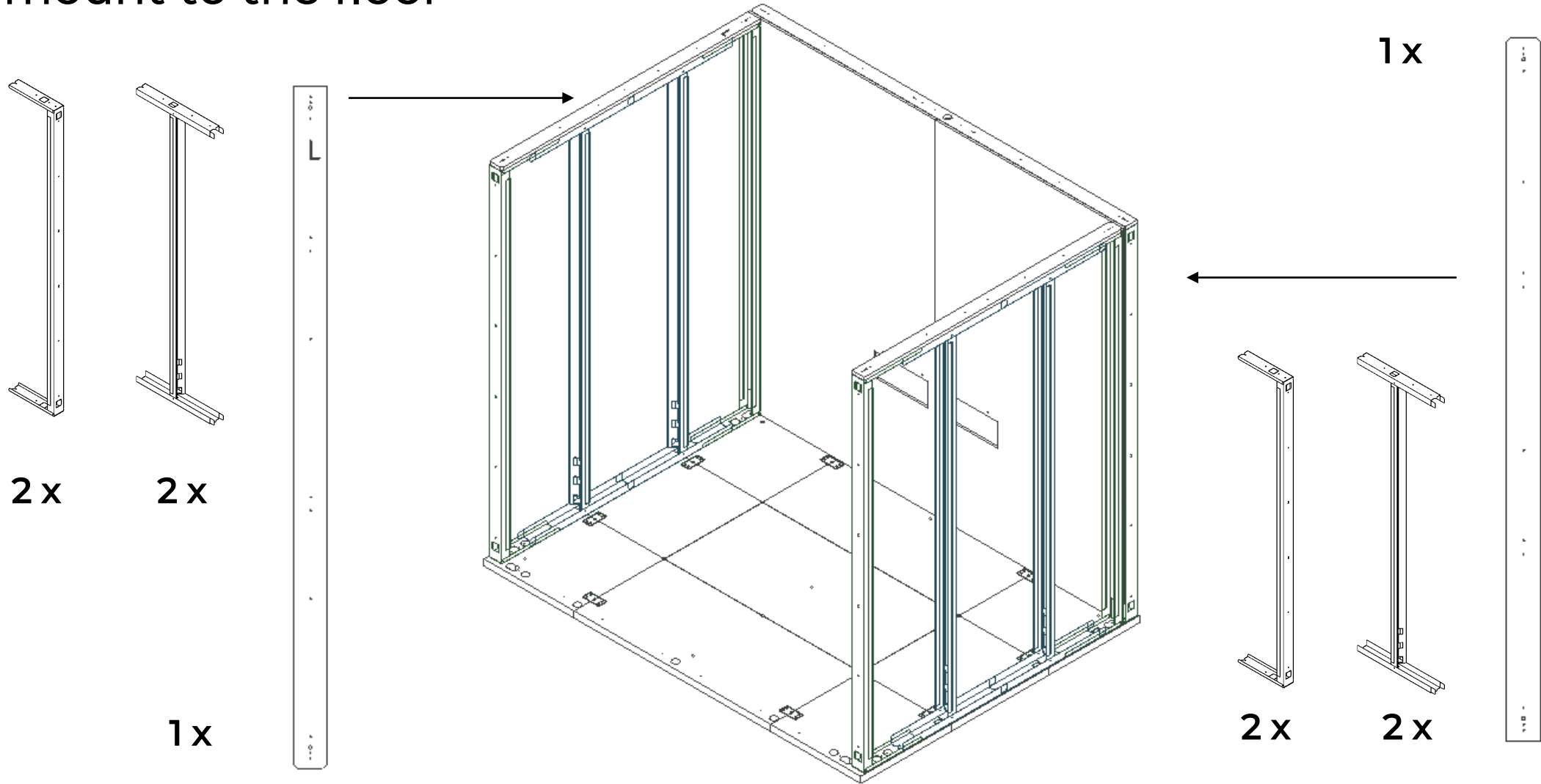


### 3 Mount the felt panels of the rear wall

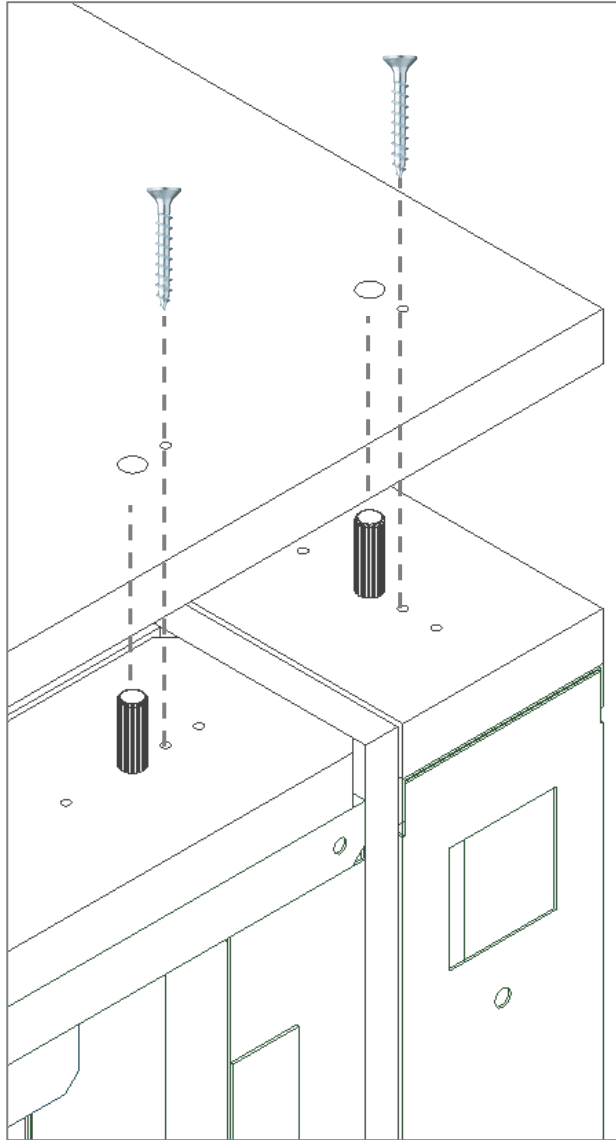


# 4 Pre-assemble the side walls and mount to the floor

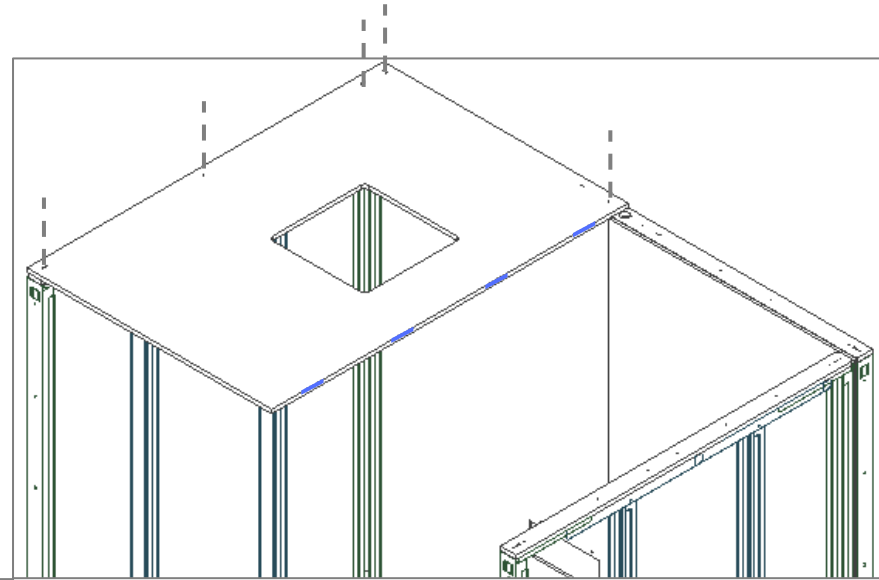
GuidePage: E-  
F-G-H-~~X~~-J-K



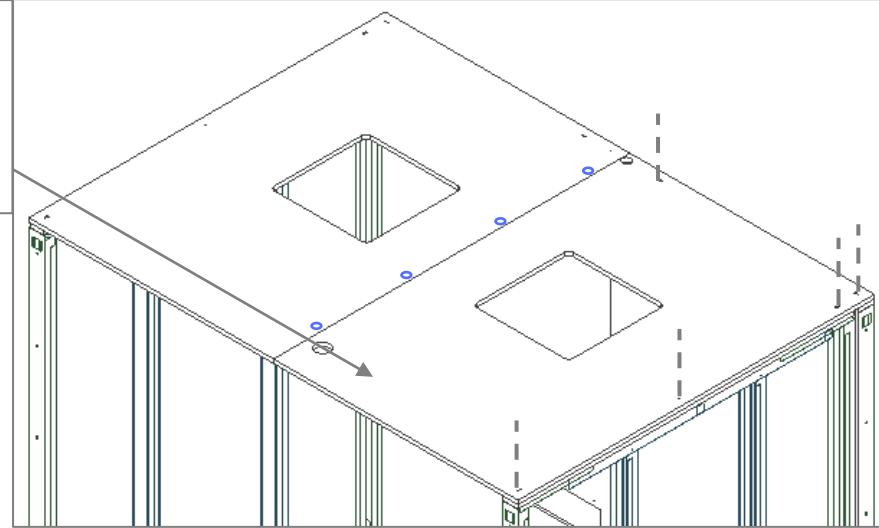
# 5 Position the ceiling on the wood dowels and screw it down.



**5x screw B**



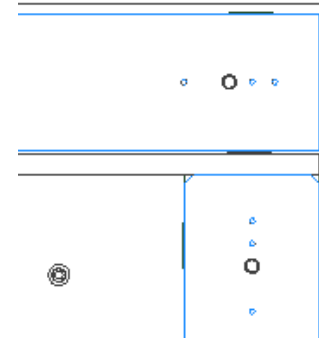
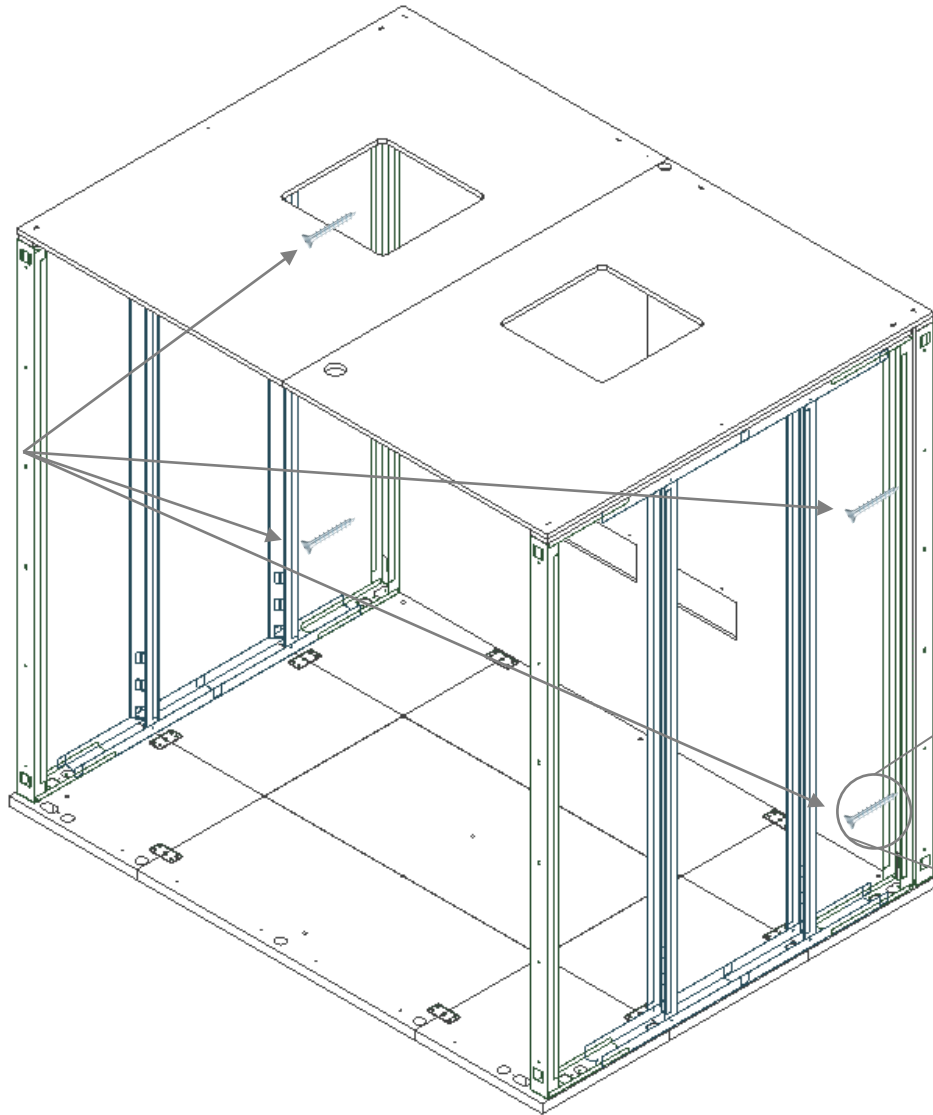
**4x Furniture connector – Allen key Nr.4**



**5x screw B**

## 6 Fix the subsequent C-modules through the felt into the rear C-modules

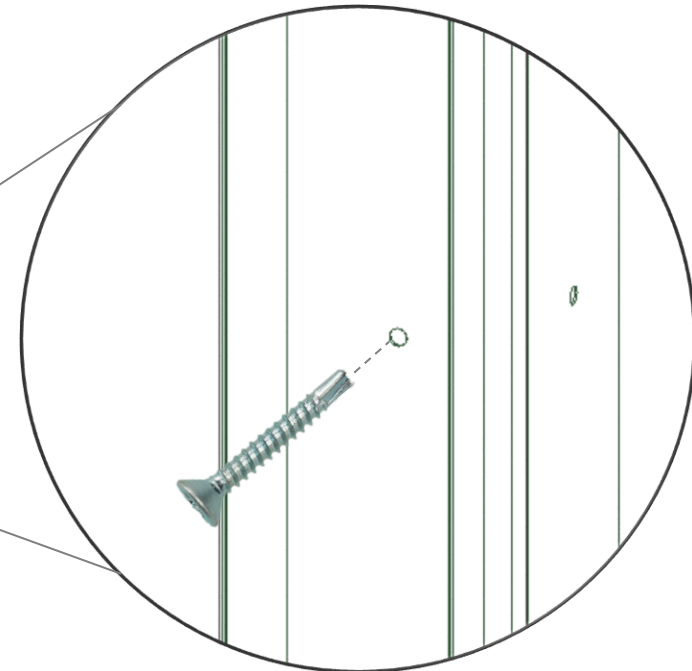
4x screw D



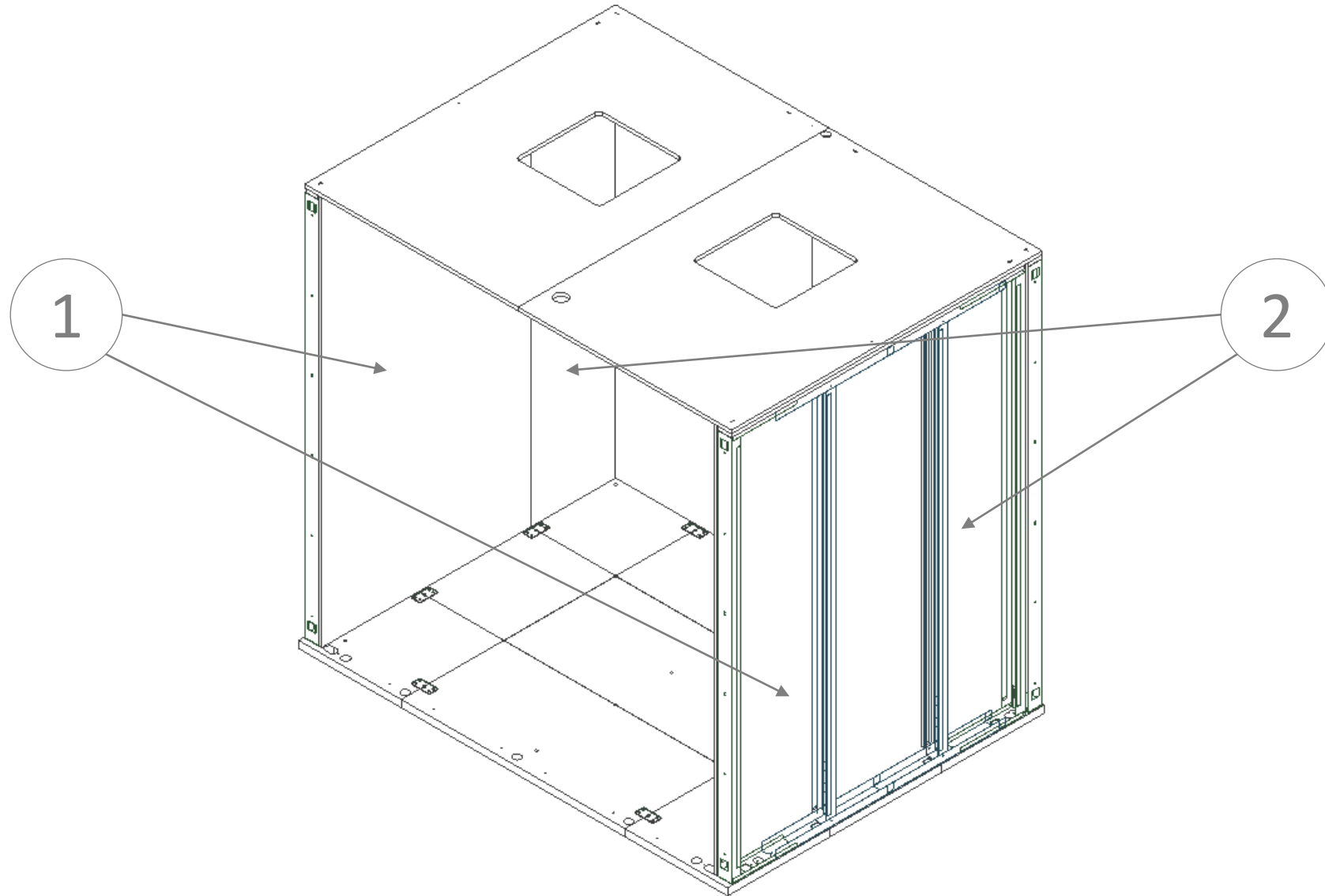
Attention:

Align the subsequent C-modules parallel with the leading C-module.

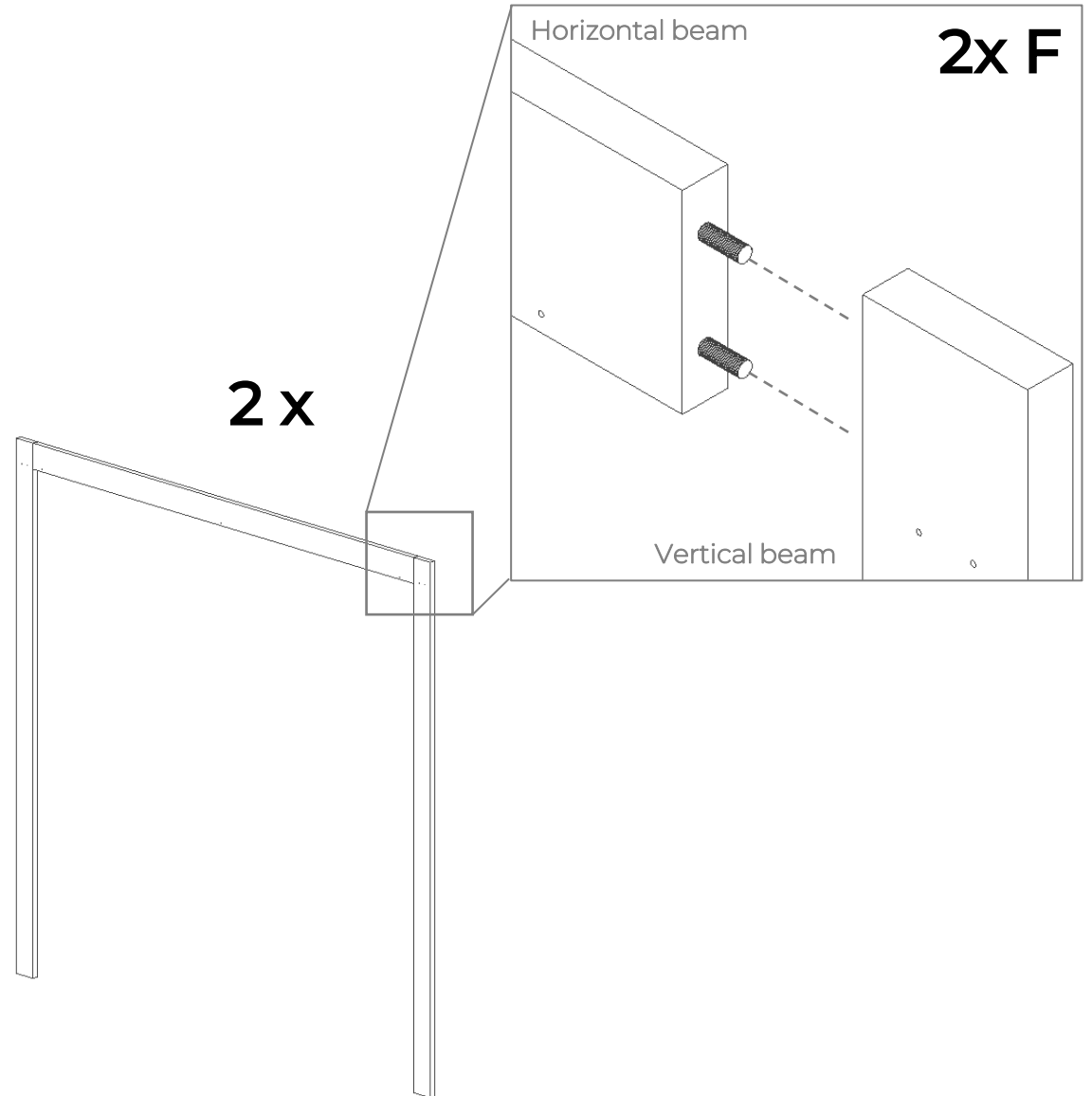
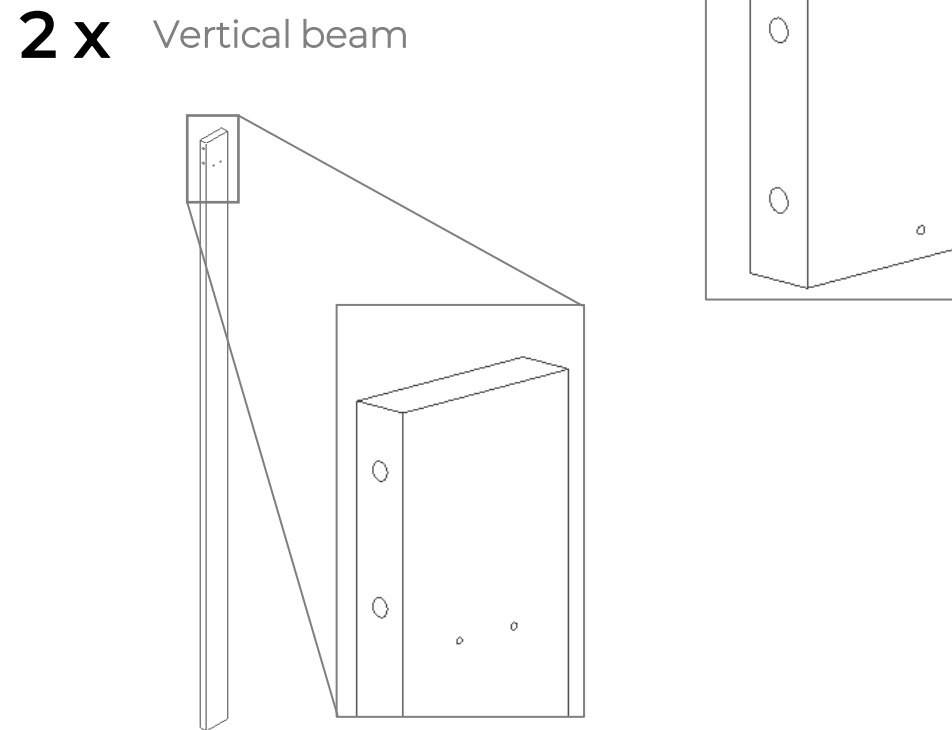
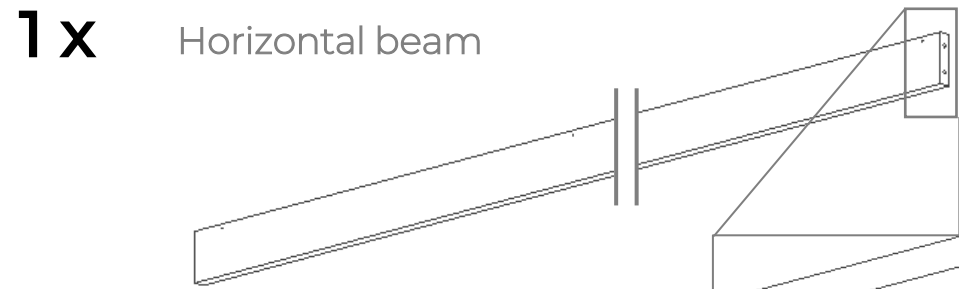
C-module needs to be straight.



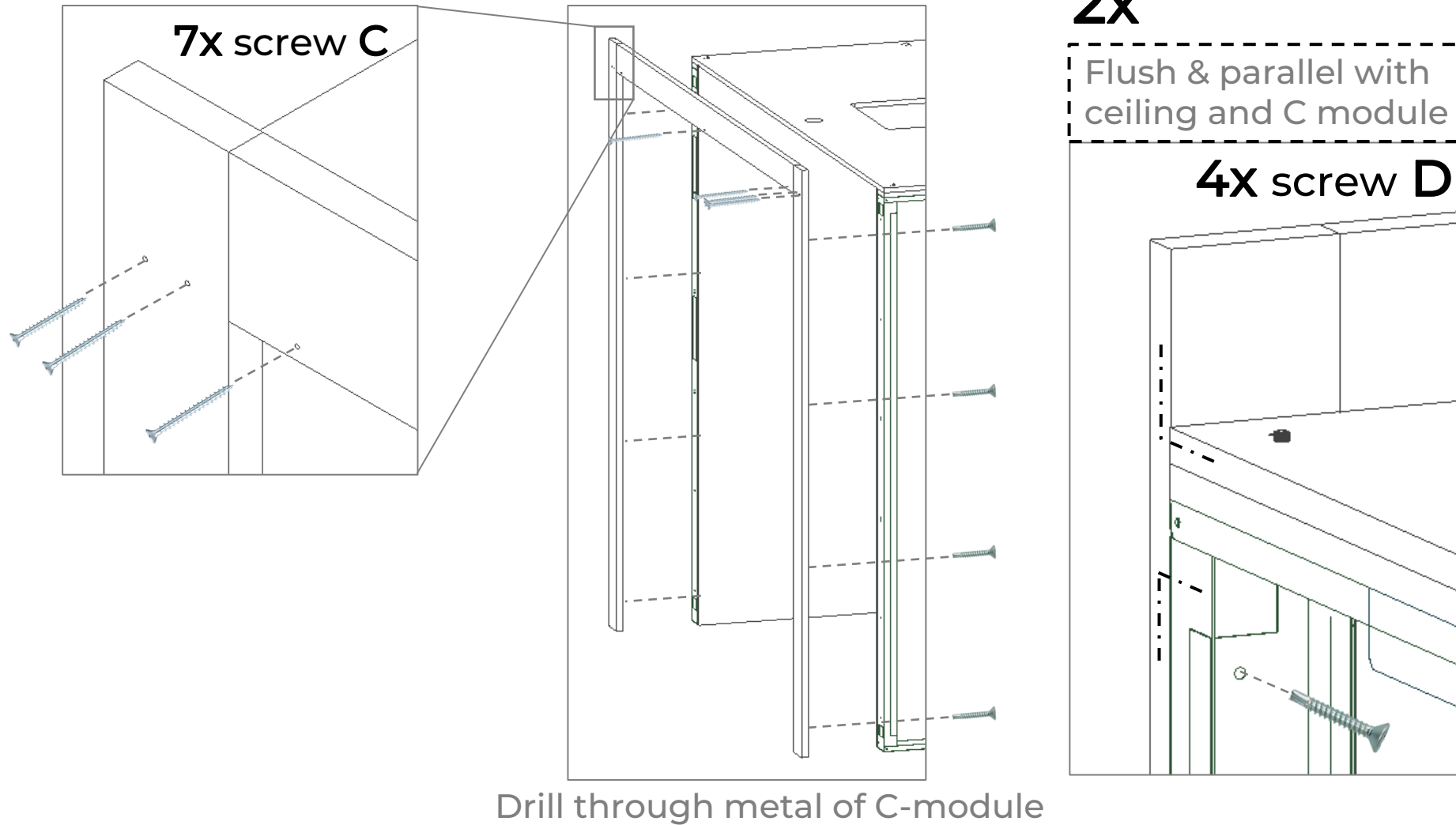
# 7 Stick the felt side panels to the modules.



# 8 Join the front wood beams using dowels



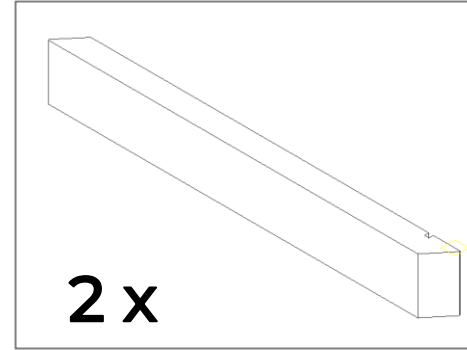
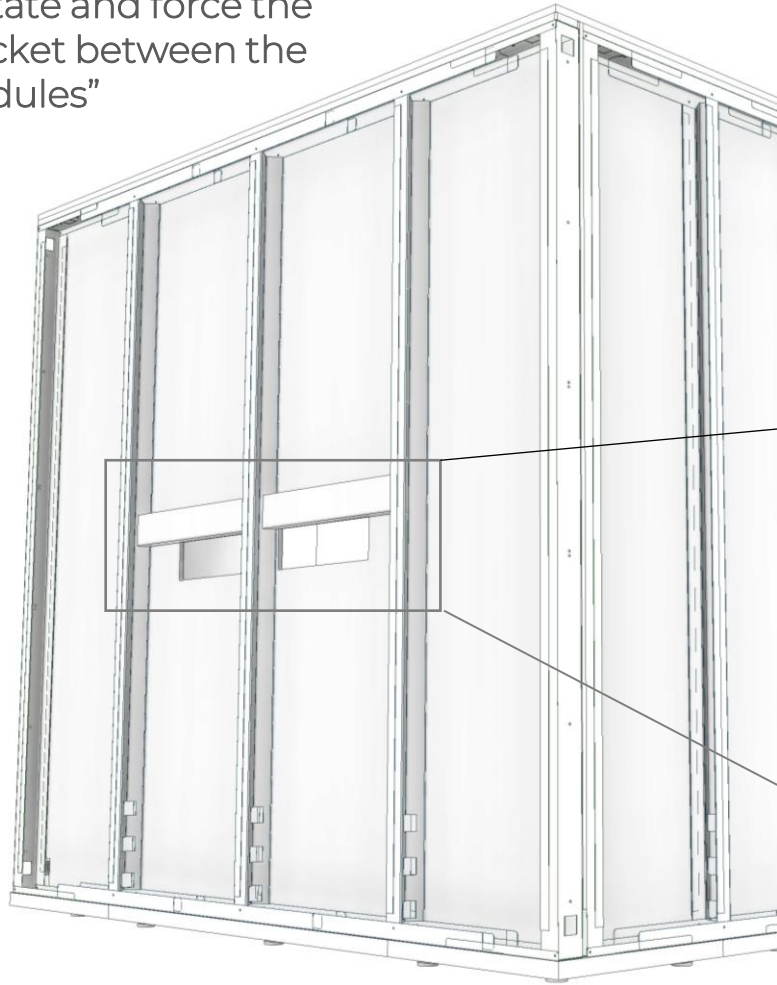
# 9 Screw the front woodbeams to the modules and the ceiling



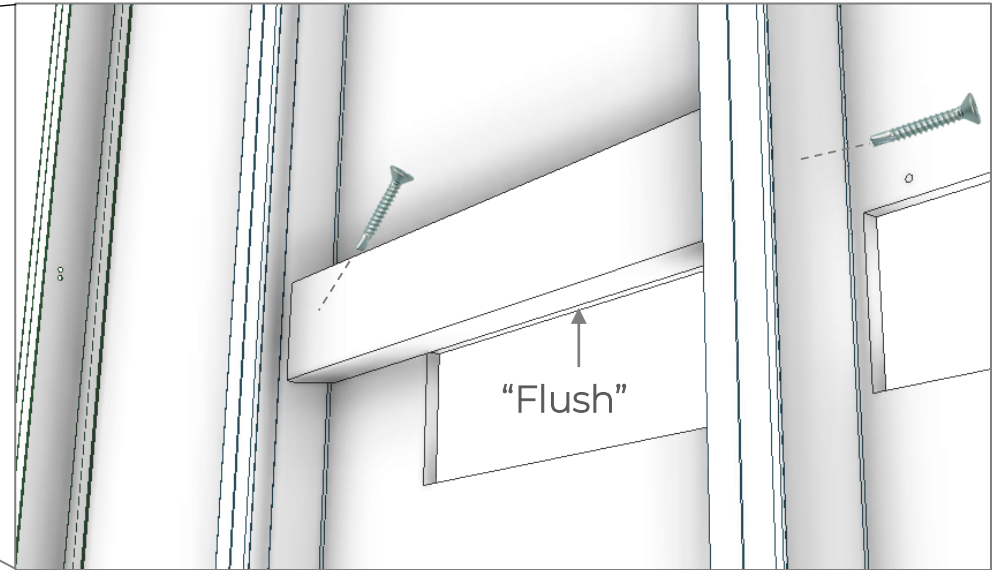


# 10 Mount the table support bracket above the hole in the felt.

“Rotate and force the bracket between the modules”

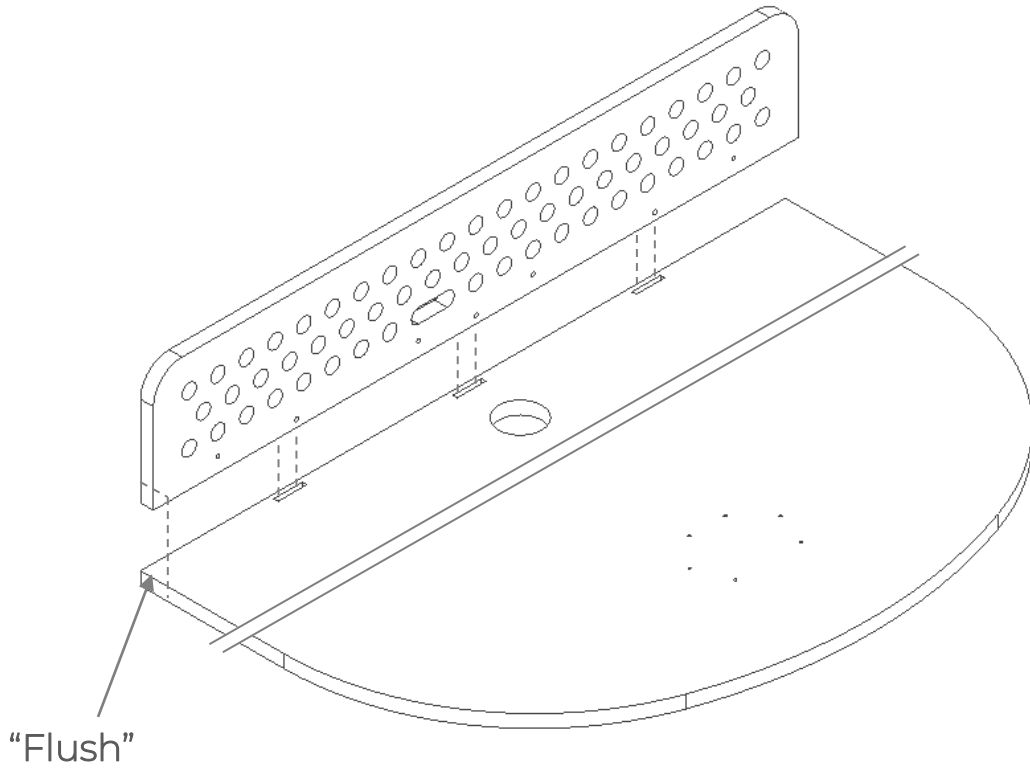


4 x screw D

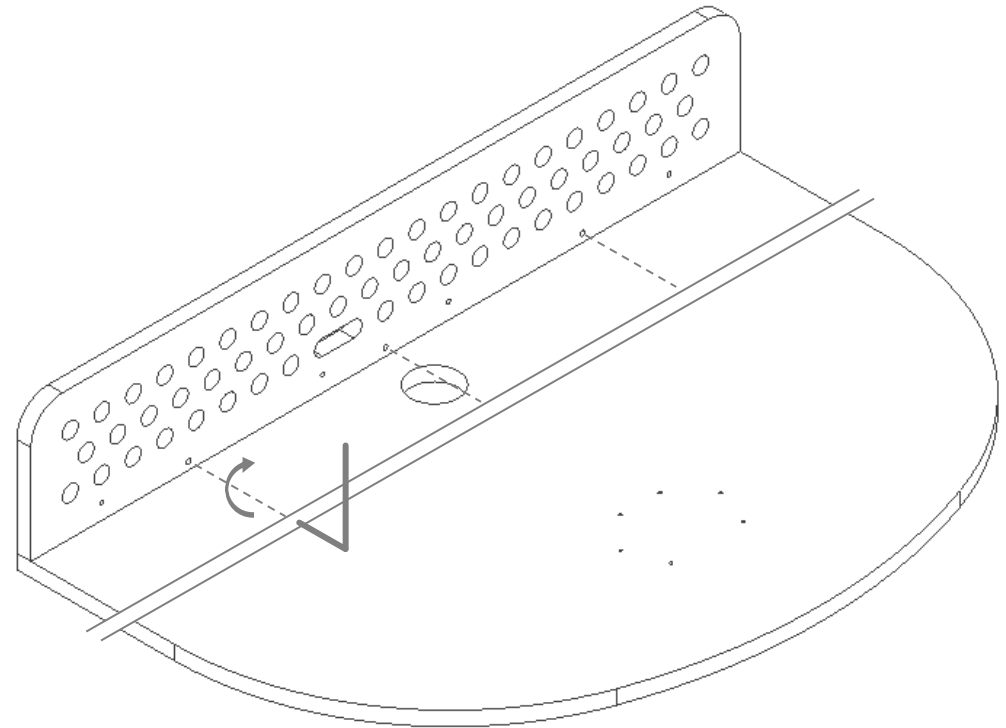


# 11 Assemble the table ventilation panel on the tabletop

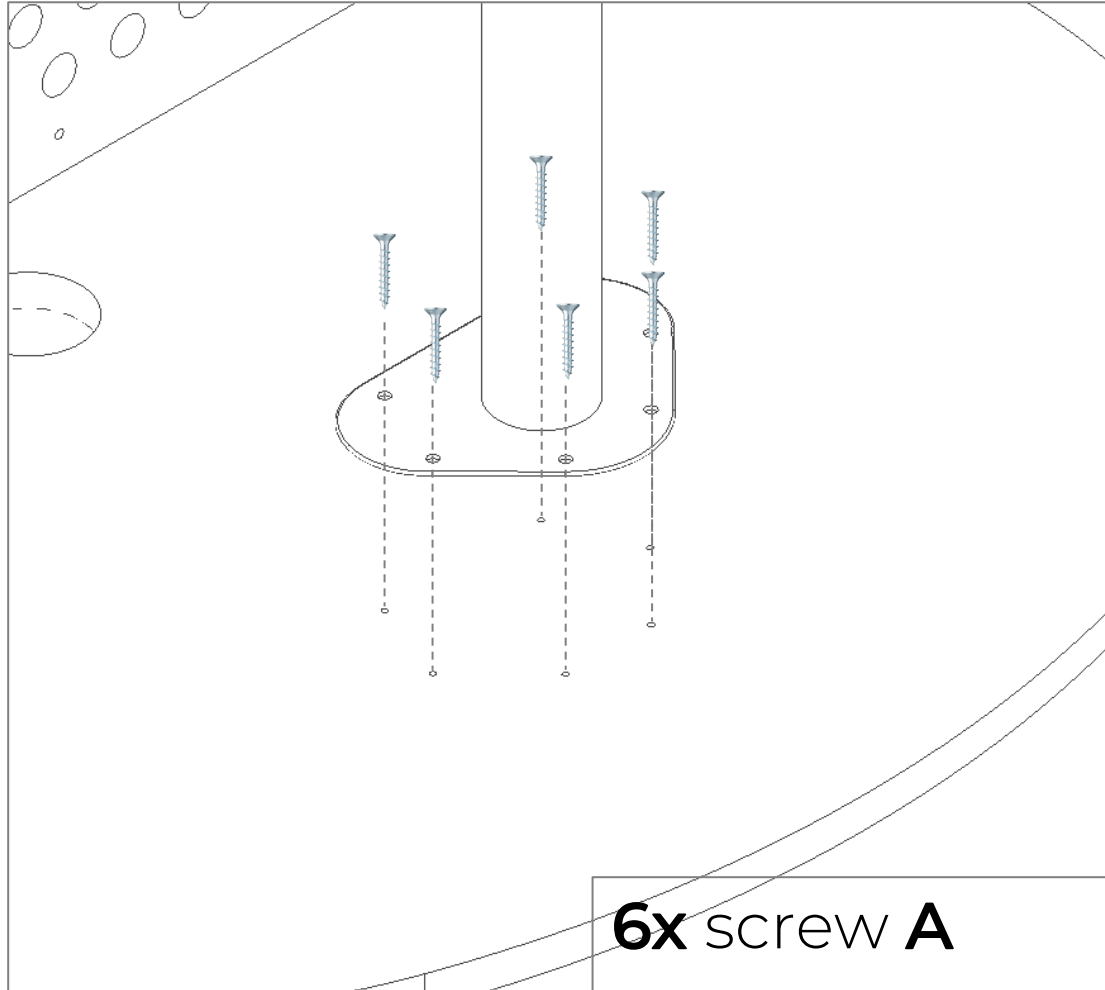
Align the black pins and position the panels flush to each other.



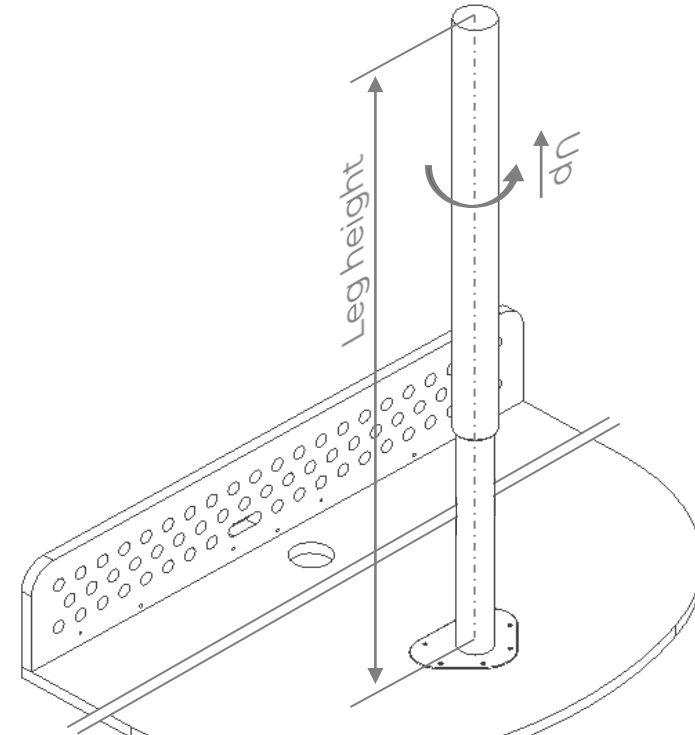
Connect the table panels by locking the pins with an allen key (Nr. 4).



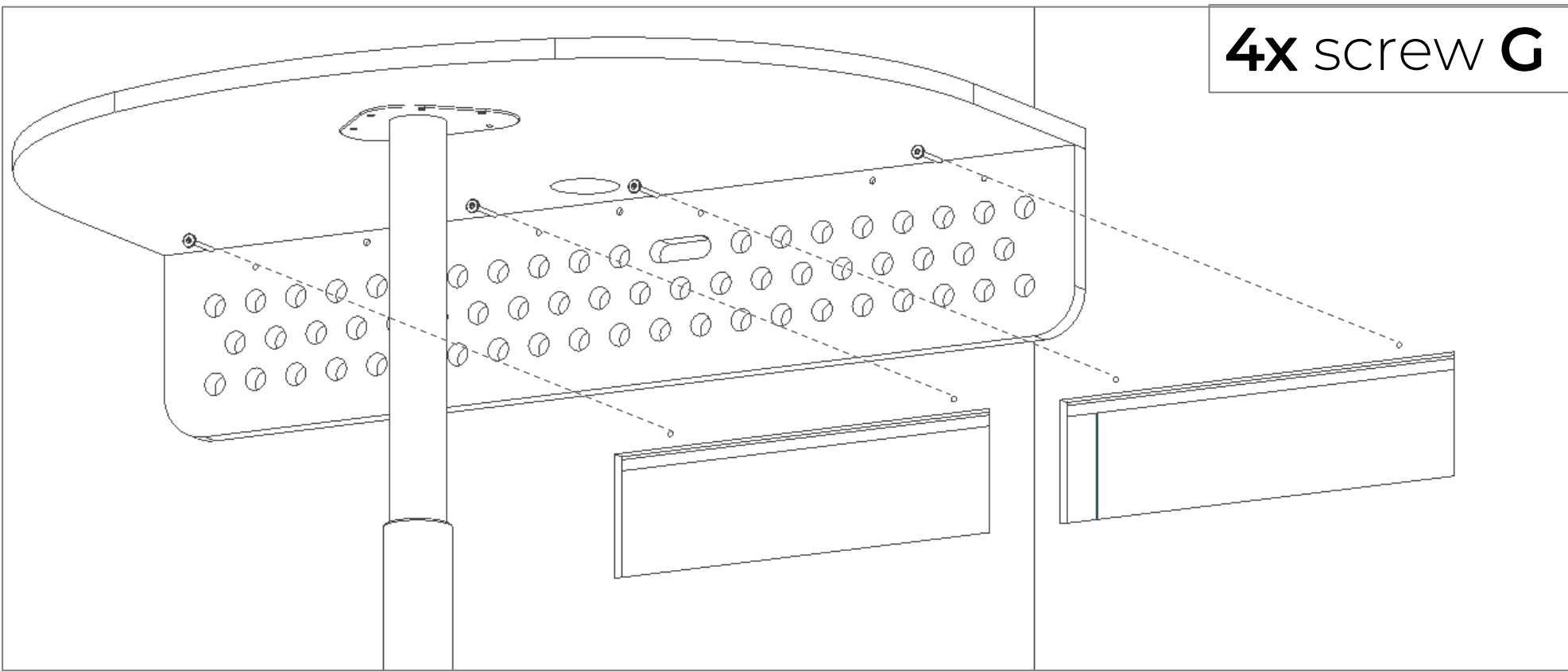
## 12 Mount the tableleg to the tabletop



Rotate the table leg to extend.  
Standing height: Leg height = 1042 mm  
Sitting height: Leg height = 722 mm

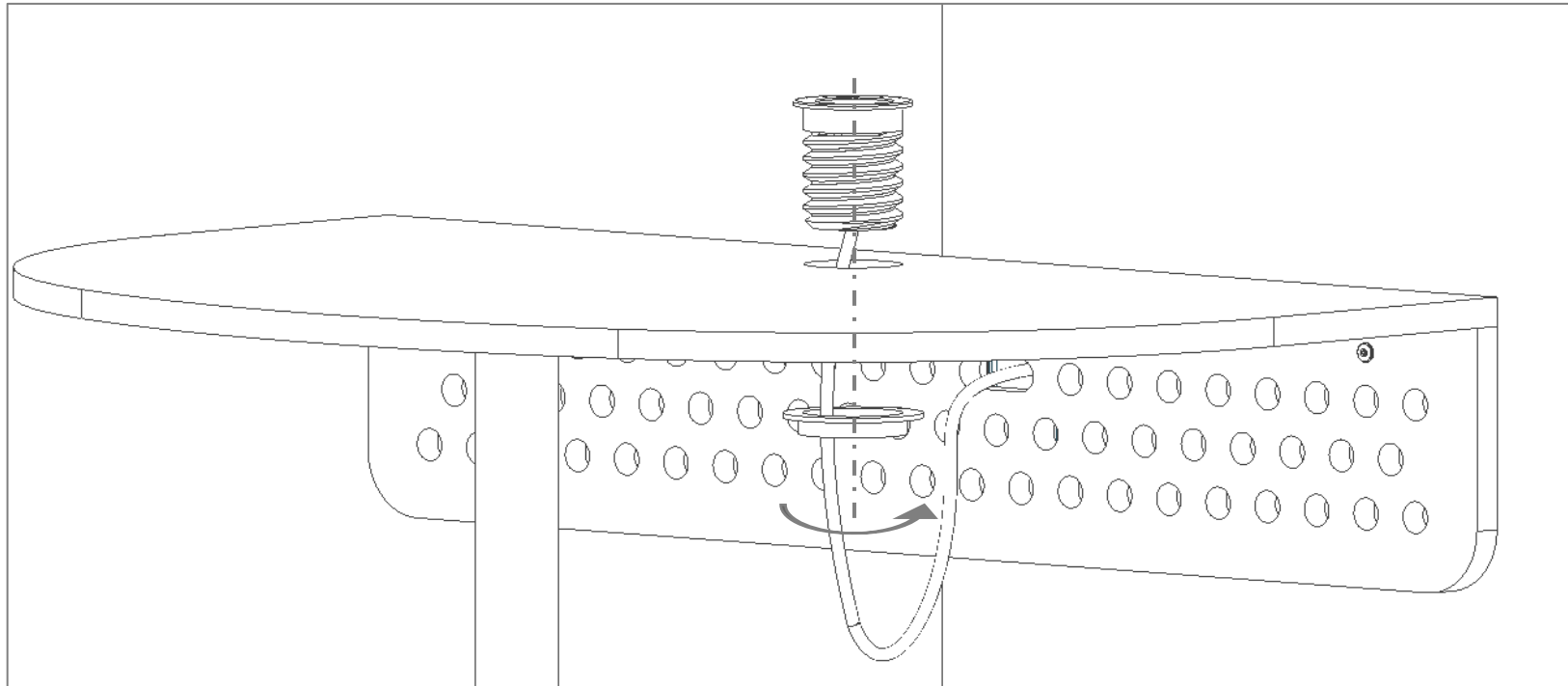
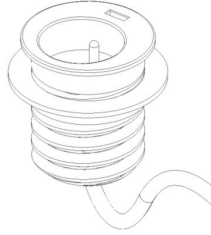


# 13 Mount the table through the felt panel into the support brackets.



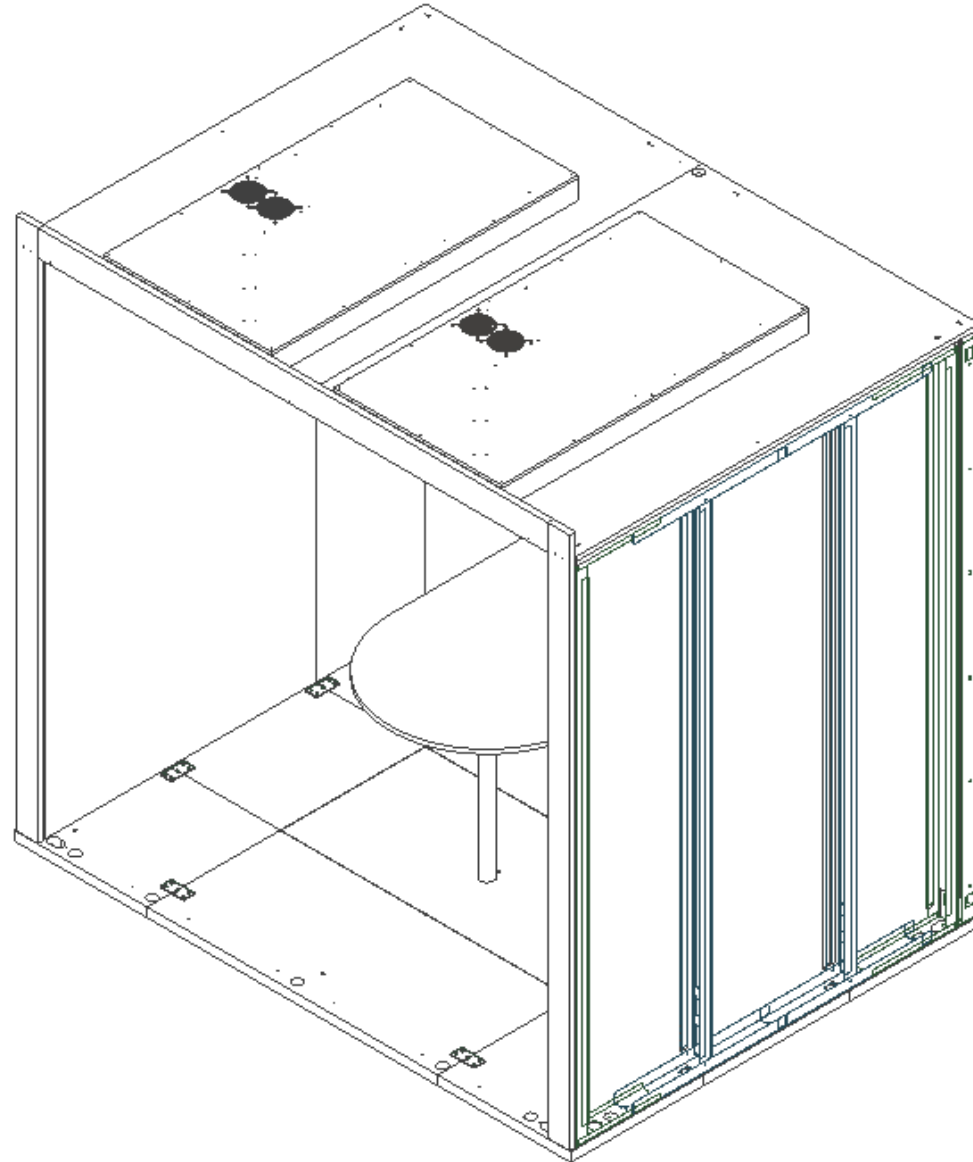
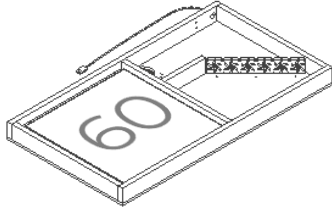
# 14 Install the threaded outlet plug in the tabletop.

1 x



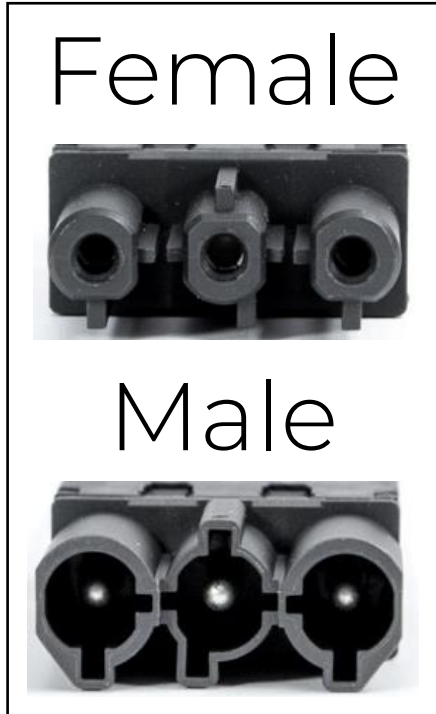
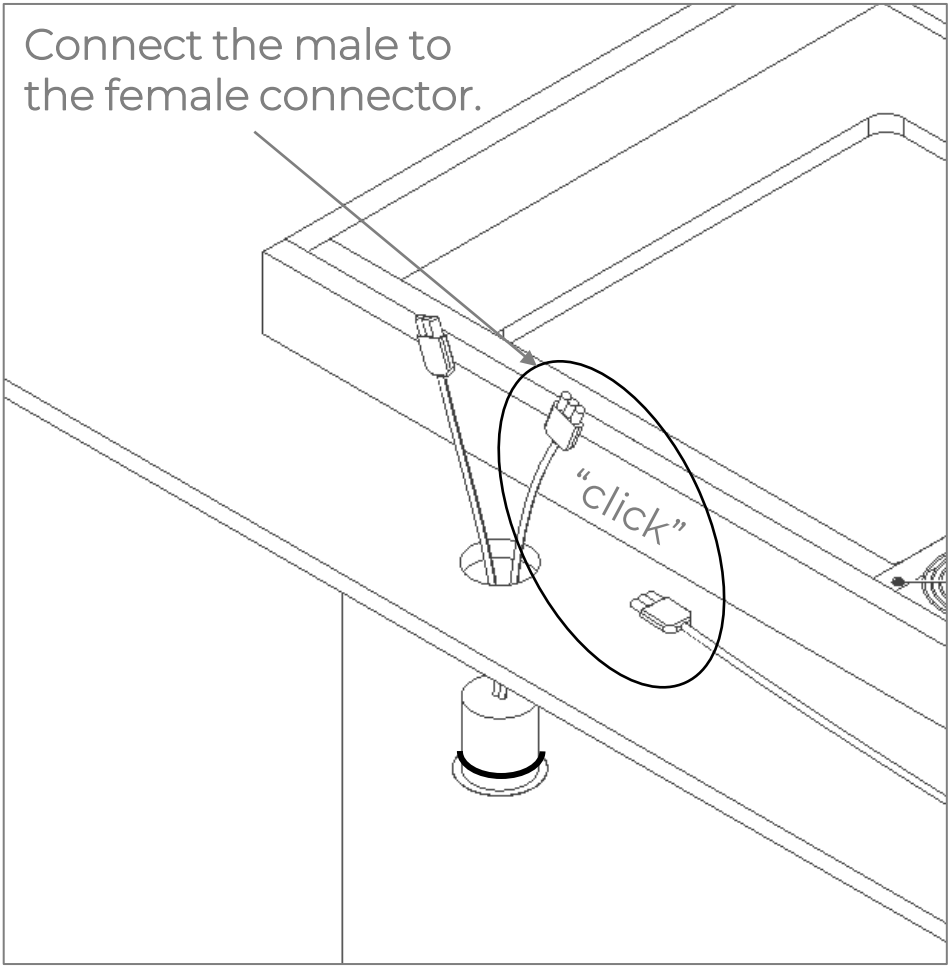
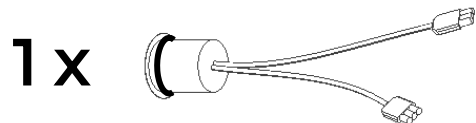
# 15 Position the ventilight above the ceiling cutout(s)

2 x



**JUNOO**

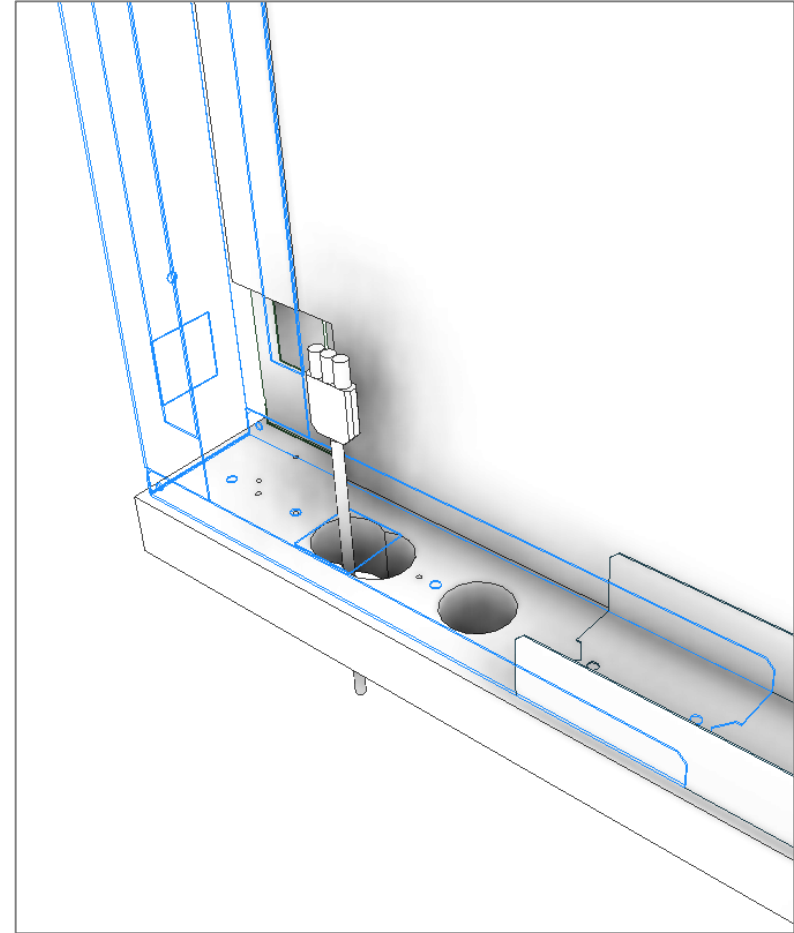
# 16 Leading with the cables, route the light sensor.



# 17 Route the power cable

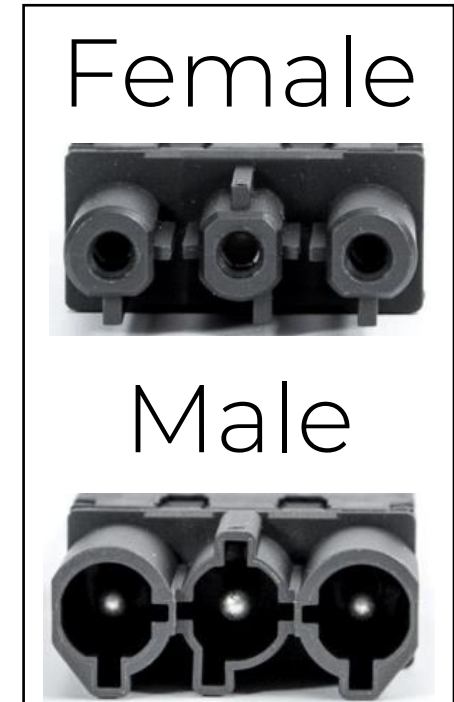
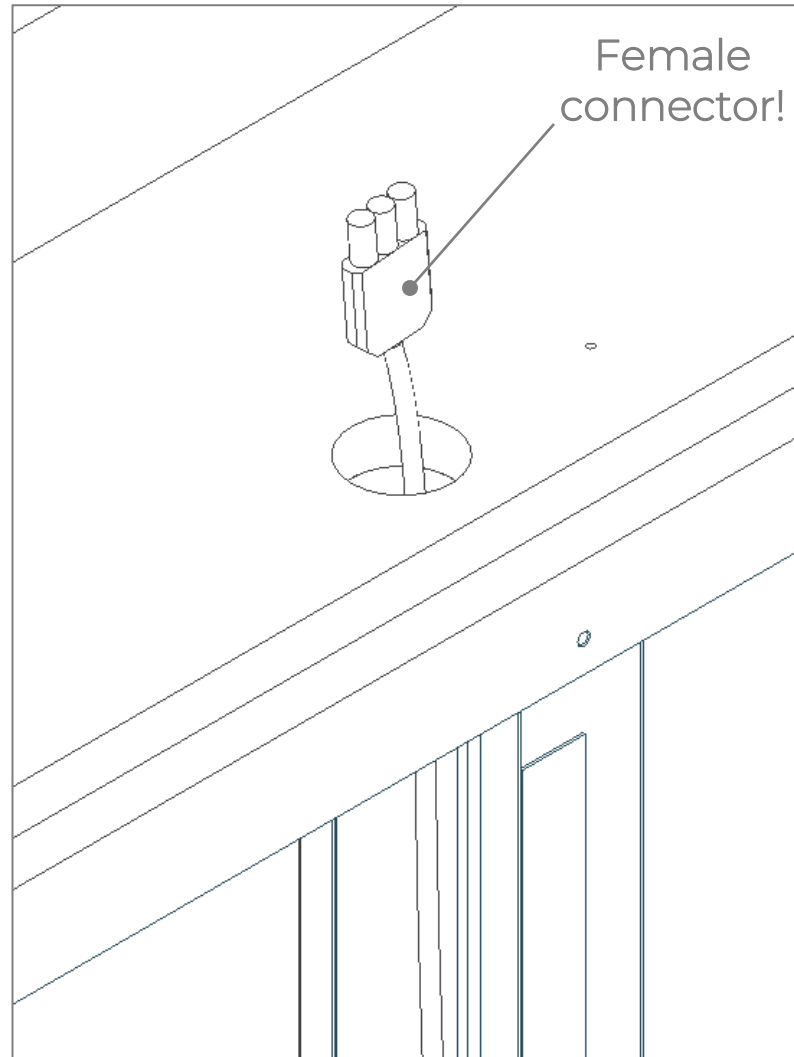


Route the connector through one of the floor tiles of the rear wall with the 8-shaped hole.



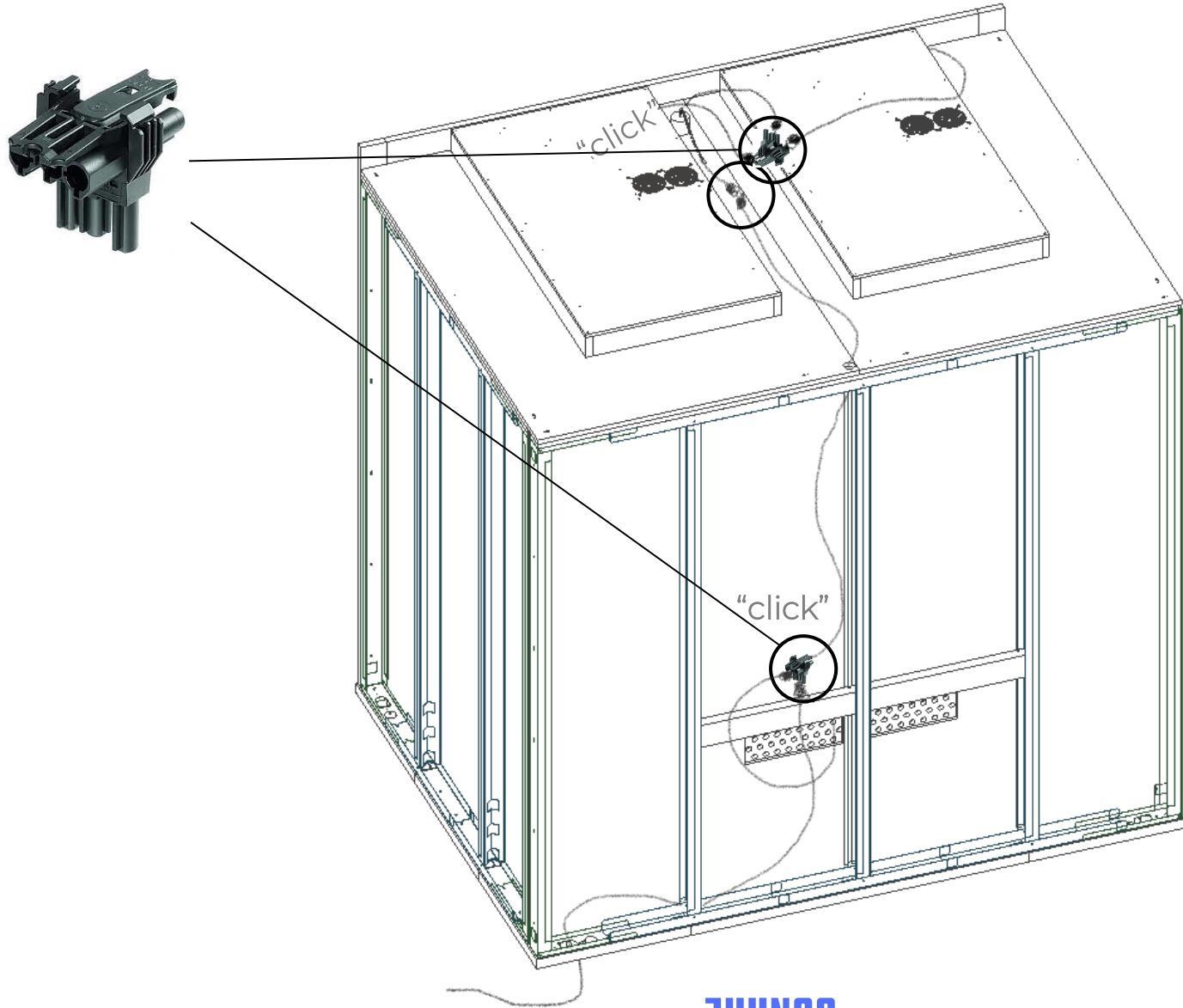


# 18 Route the extension cord through the ceiling hole.



# 19 Connect all the electronics + the 3-way splitter plug.

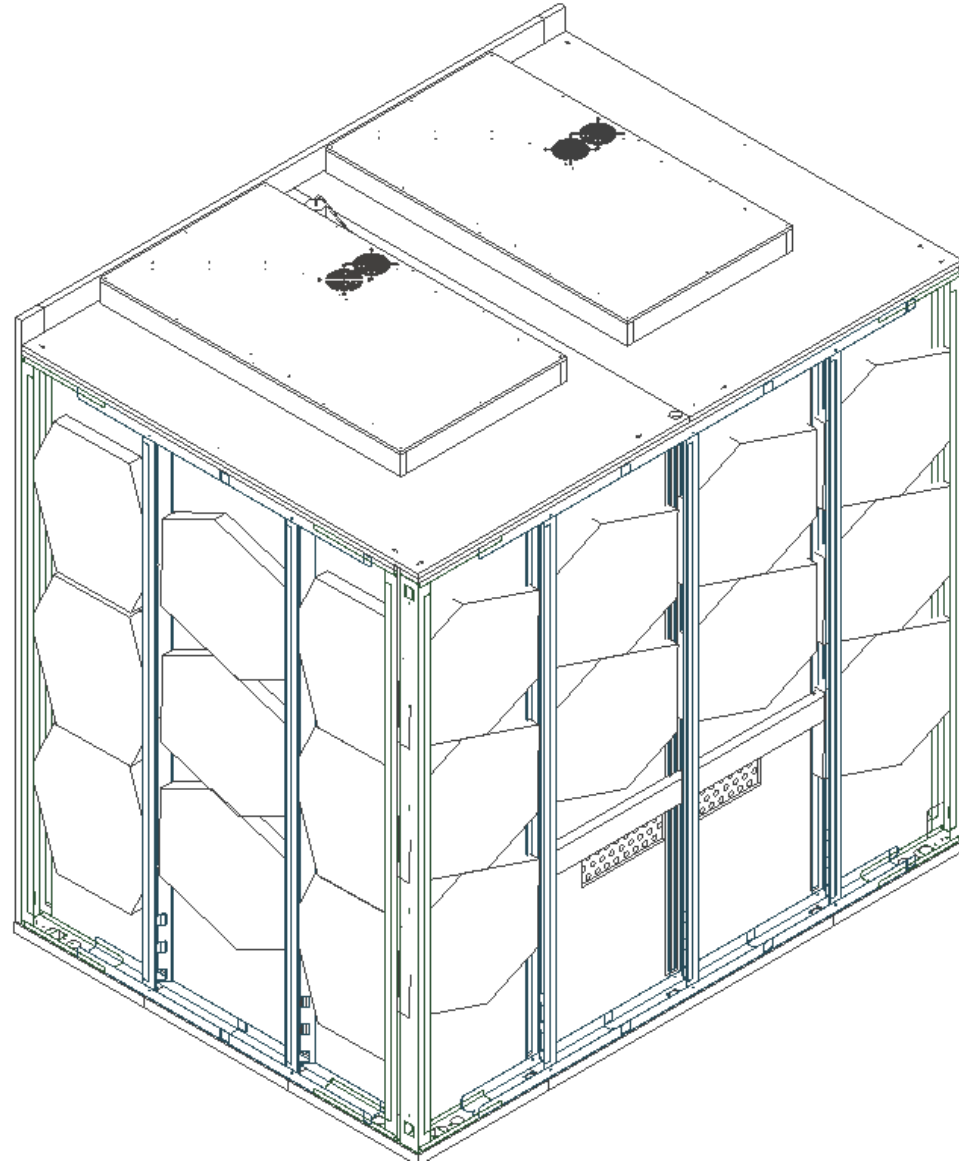
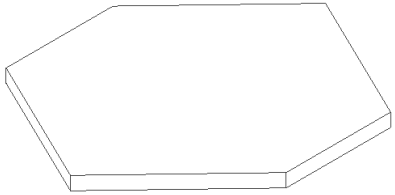
2 x



JUUNOO

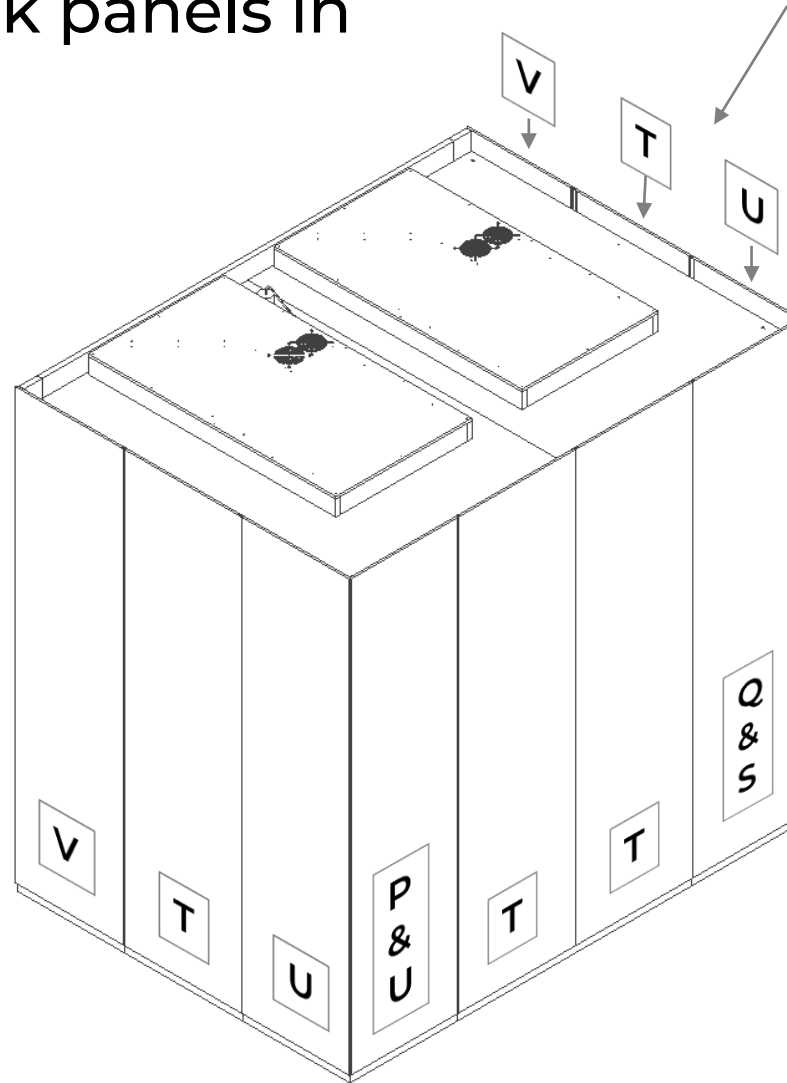
**20** Span the hexagon foam tiles between the modules.

**28 x**

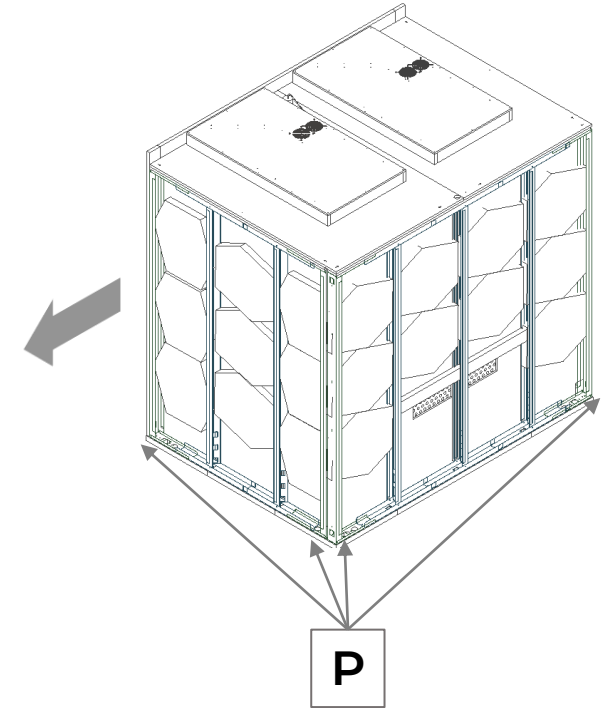


**21** Mount the exterior click panels in the correct order:

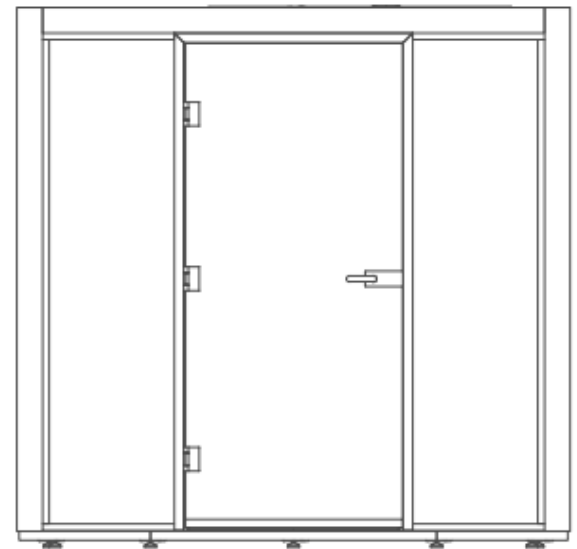
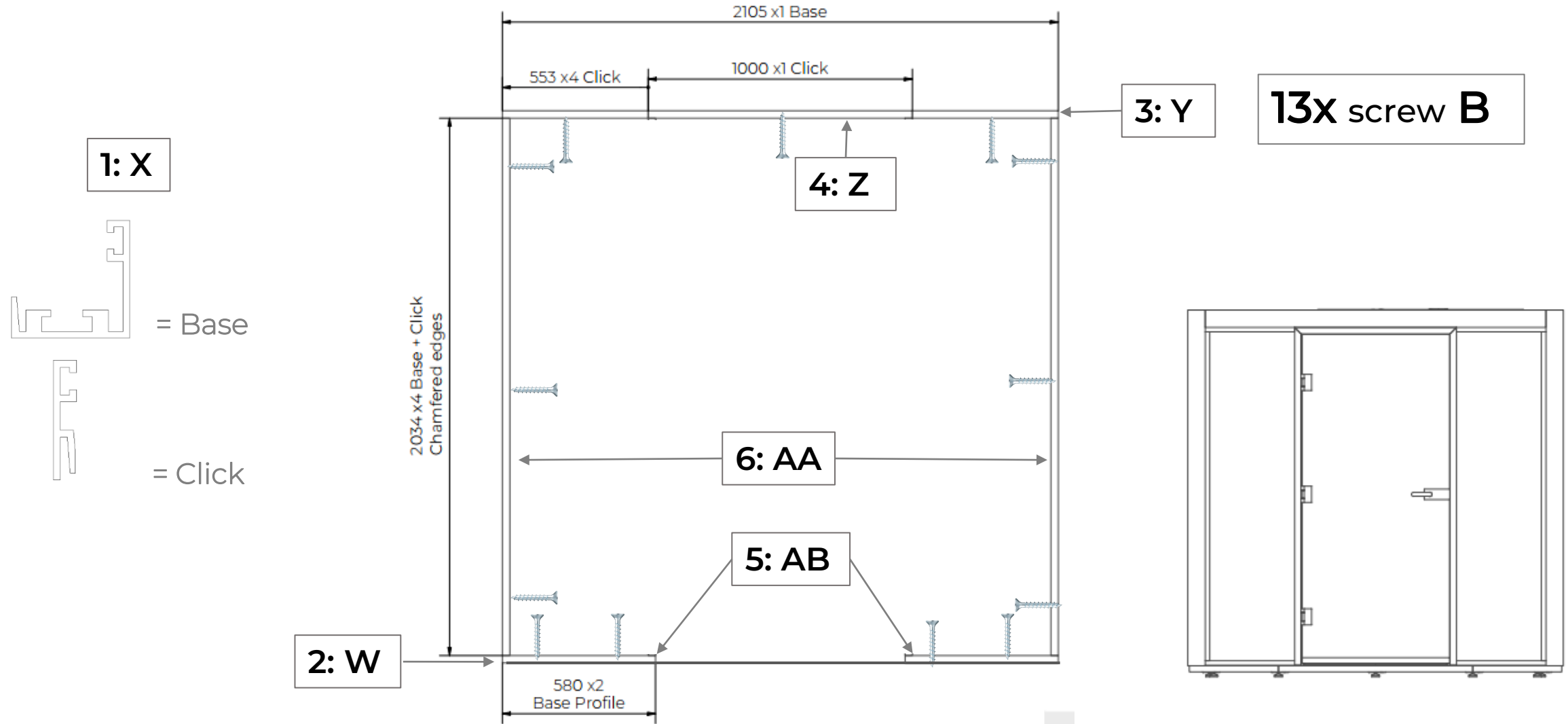
Click panels



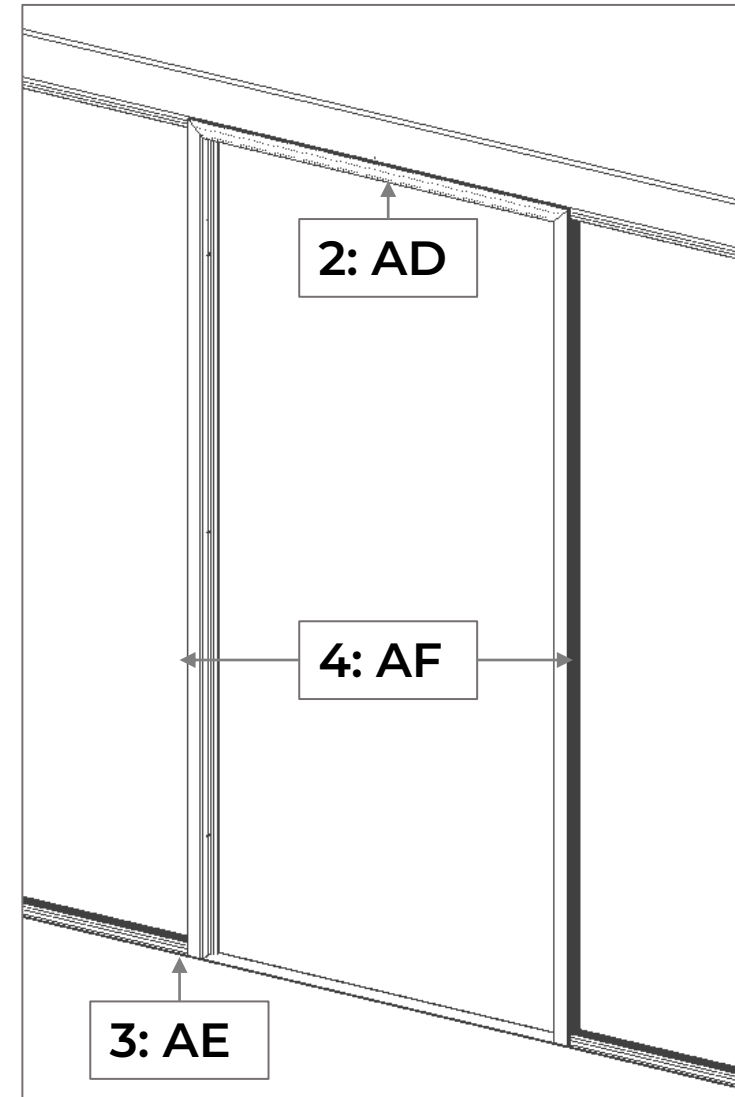
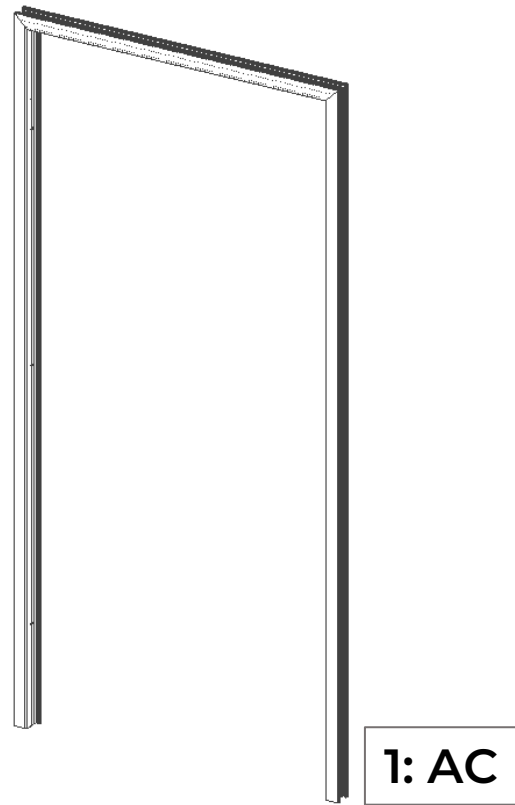
**GuidePage: P-Q-R-  
S-T-U-V**



# 22 Screw the plinth & the outer glass base profiles to the floor & wood beams

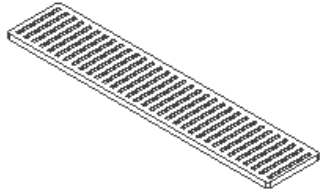


**23** Assemble and position the door frame & the glass base profile inside the door frame.

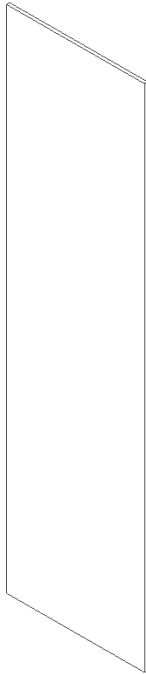


# 24 Position 2 shims & install the glass pane inside the aluminium frame.

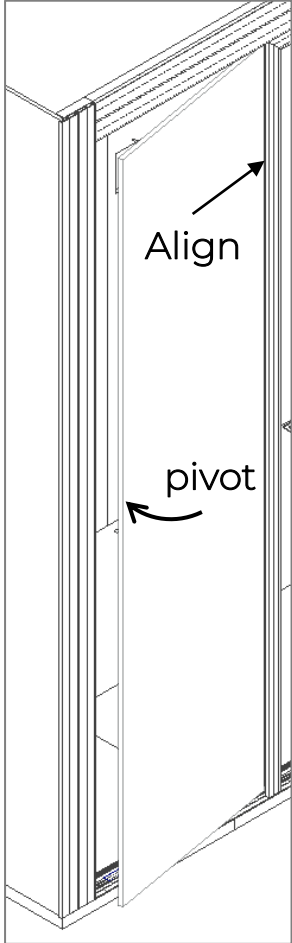
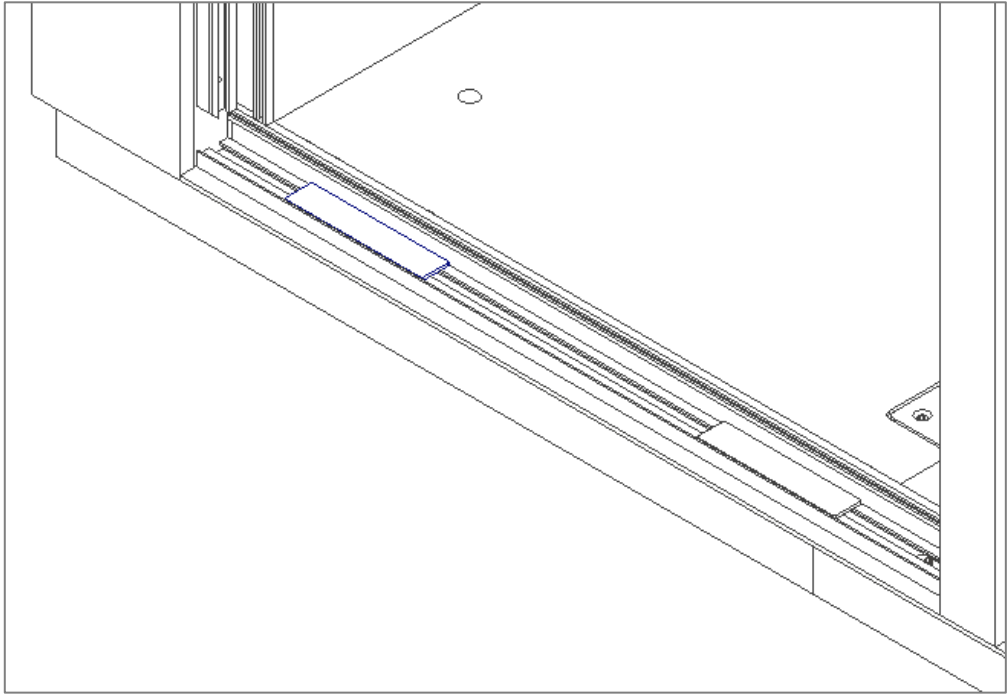
2 x



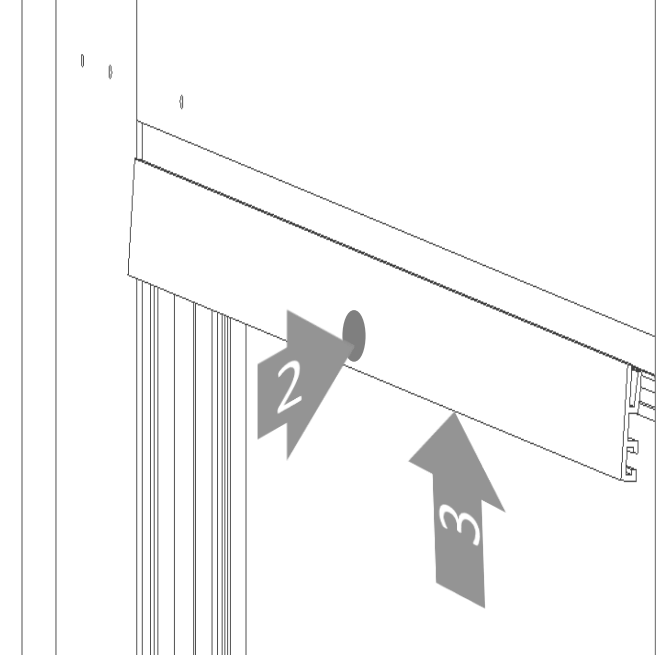
2 x

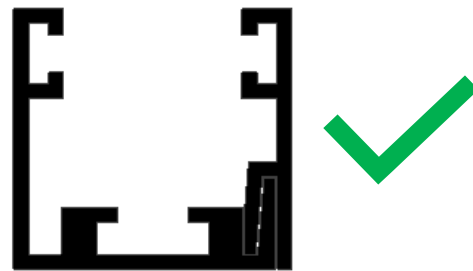
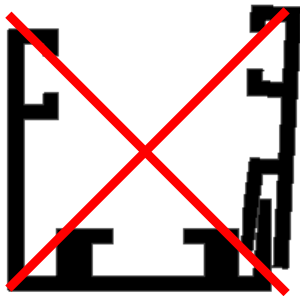


Insert the glass panes towards the door first and pivot the pane inside the glass profile frame on the shims.



## 25 Mount the glass click profiles to seal and fix the glass panes.

<p>Start to mount all horizontal profiles</p> <p>Follow up with the vertical profiles</p> <p>Finish with the vertical profiles <u>inside the door</u></p>	<p><b>Process for each profile:</b></p> <ol style="list-style-type: none"><li>1. Align the click profile over the base profile</li><li>2. Press the click profile flat to the glass</li><li>3. Use a mallet to tap the profile fully inside the groove.</li></ol>	
---	---	---

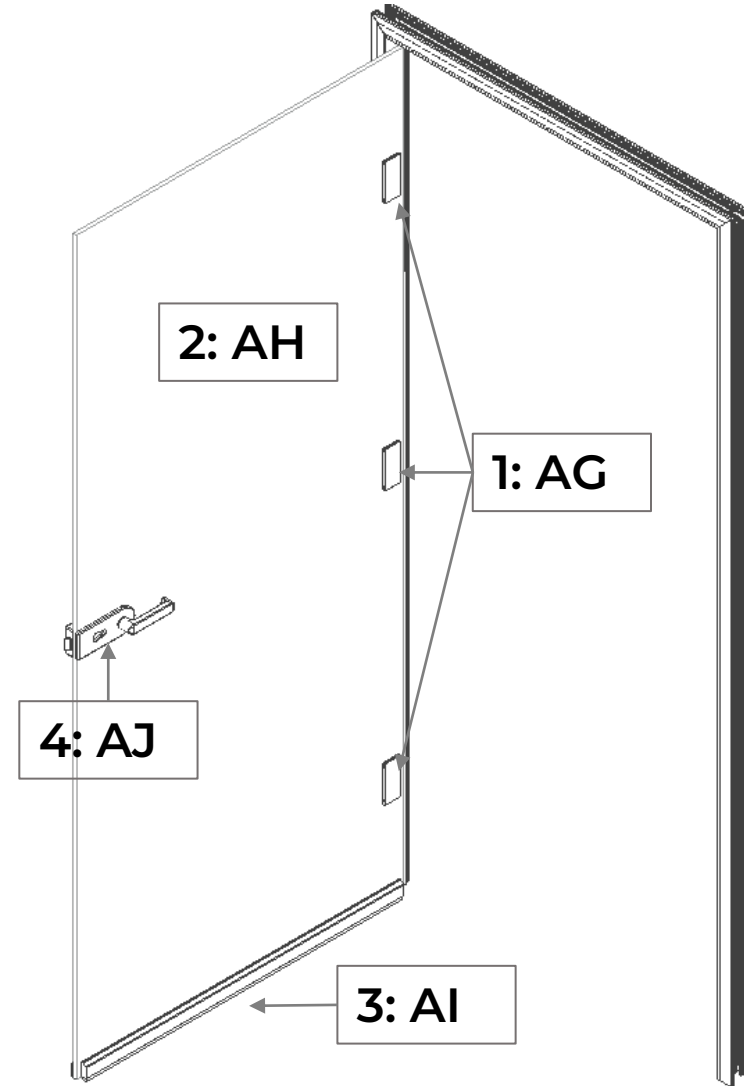
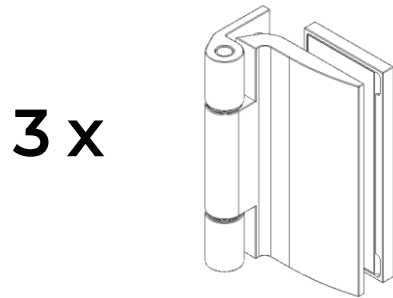
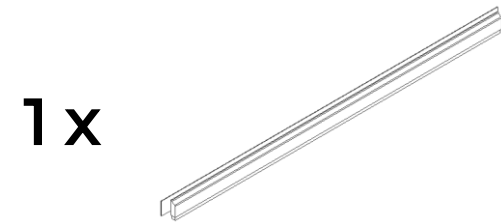
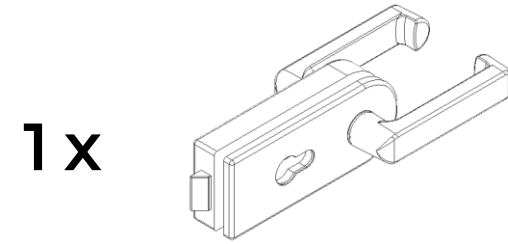


TIP 1: use soap solution to lower friction and better ease in the click profiles.

TIP 2: Check if front side and door profile is plumb so the door will not sag.

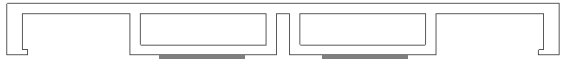


# 26 Mount the glass door + hinges + hardware

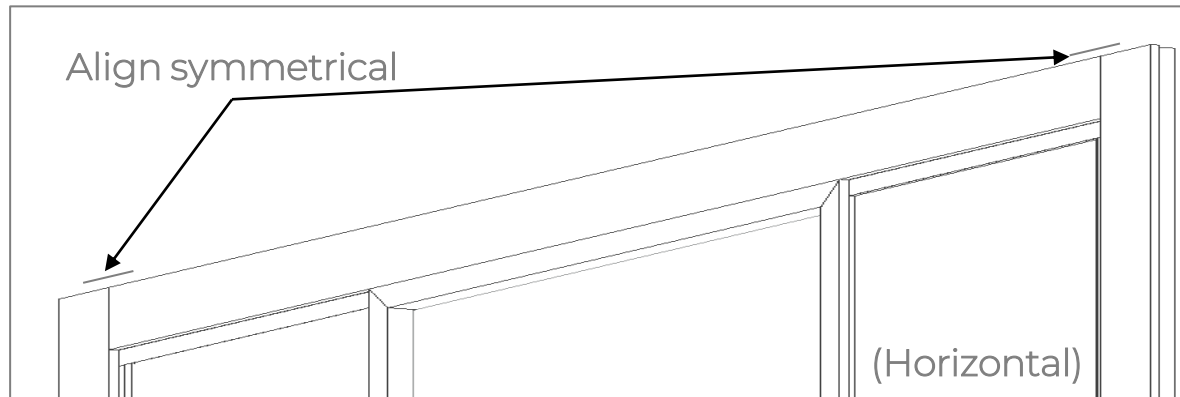
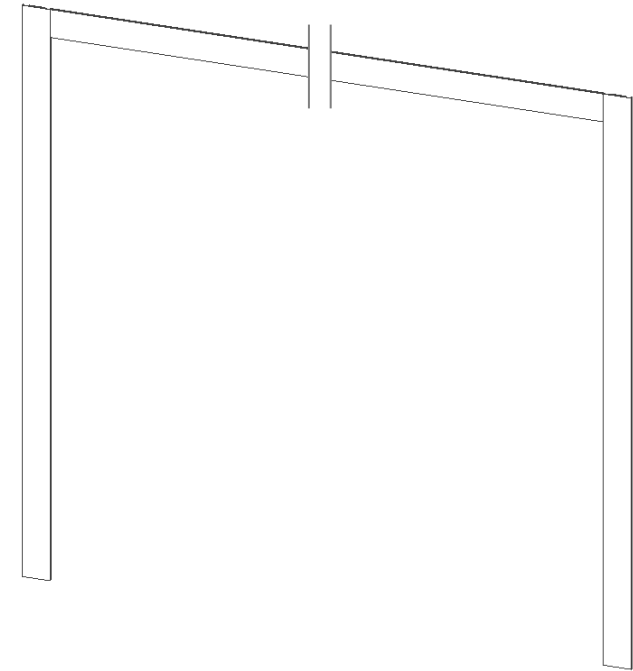
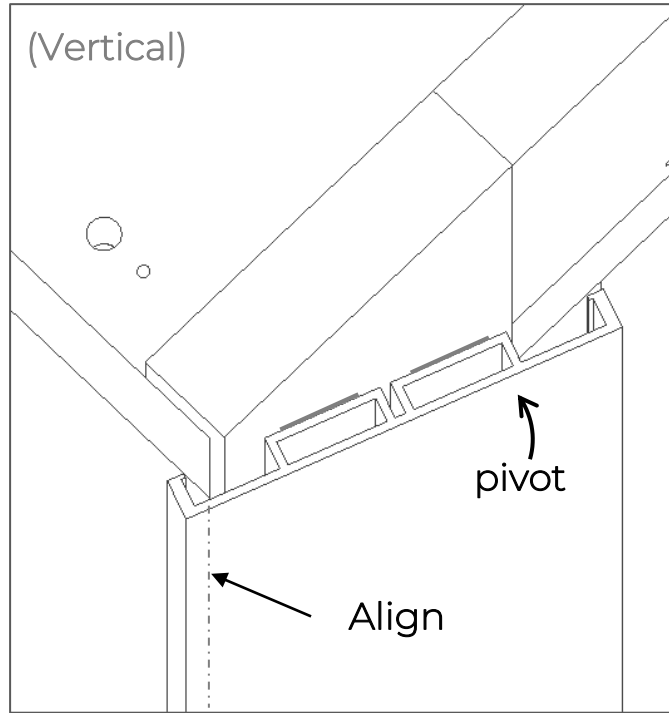
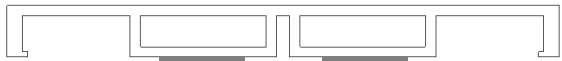


# 27 Tape the aluminium end covers on the wood backings

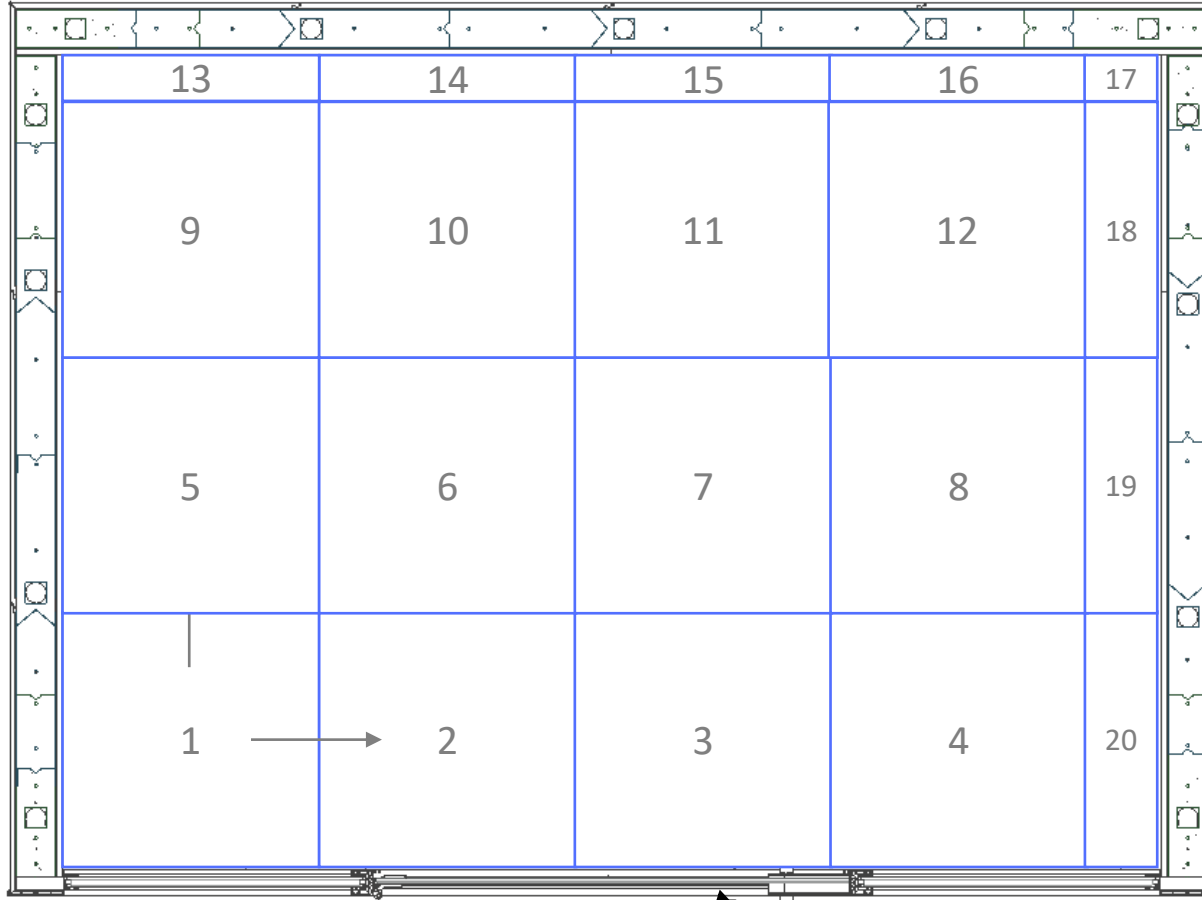
2 x (Vertical)



1 x (Horizontal)



# 28 Install the carpet tiles



Keep factory edge at visible front



Use double sided stick tape below carpets to adhere them to the floor tiles.

Attention! To have the best results, you need to see if the pod floor is perfectly square and cut the floor tiles to the effective shape of the felt panels. Measure twice!

1-12 = no cutting  
 13-16 = 1 Side cut (A)  
 18-20 = 1-sided cut (B)  
 17 = 2 sided cut (A&B)

63 mm - A



110 mm - B



A & B 17

Your pod is now ready!

We keep exploring new ways to improve our products in any way. If you have any questions or ideas to improve your experience, do not hesitate to contact us!  
[info@juunoo.com](mailto:info@juunoo.com)

