



Connect 2

JUUNOO

JUUNOO Connect 2

€7.995

Features & materials



ACOUSTICS

30 dB sound reduction helps tune out distractions and maintain privacy.

LIGHTING

Adjustable dimmer provides the perfect light for any task.

PREMIUM QUALITY

Manufactured in Europe using sustainably sourced materials.

VENTILATION

Multi-fan system refreshes air in the pod every minute for a cool and comfy space.

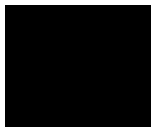
CONNECTIVITY

Thoughtfully placed AC and USB ports give you all the power you need.

EXTERIOR OPTIONS

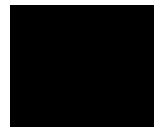


White



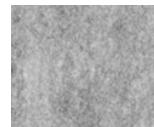
Black

DOOR FRAME



Black

FELT



Silver

TABLE



Oak

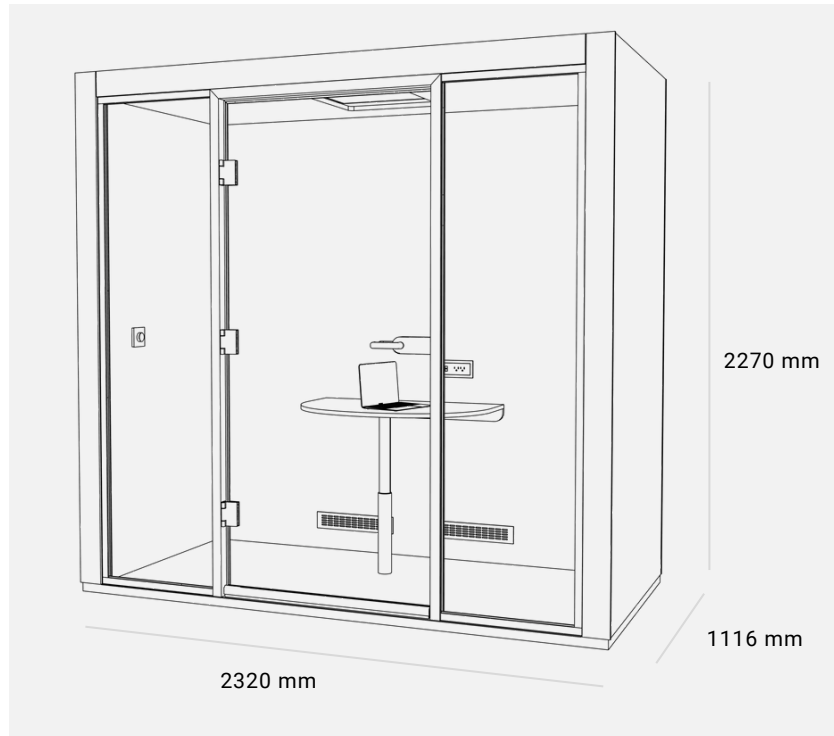
CARPET



Dark grey

JUUNOO Connect 2

Technical data sheet



| | |
|---|---|
| Exterior dimensions | (W x D x H) 2320 mm x 1116 mm x 2270 mm |
| Height tolerance for leveling feet | ±12.7 mm |
| Interior dimensions | (W x D x H) 2110 mm x 963 mm x 2088 mm |
| Doorway | (W x H) 890 mm x 2035 mm |
| Desktop dimensions | (W x D) 900 mm x 570 mm |
| Desk height | 740 mm |

| | |
|---------------------------|---|
| Acoustics | 30 dB |
| Airflow | Multiple fans refresh air every 60 seconds |
| Lighting | Adjustable light dimmer up to 2000 lm |
| Power usage | 50 W ~ (0.050 kwh) while in use / 1.2 W standby |
| Power requirements | 230V min., 3 prong plug |
| Power cord length | 2134 mm |
| Wall outlets | 2 power socket, 1 USB-A, 1 USB-C |
| Capacity (person) | 2 |
| Total weight | 410 kg |
| Warranty coverage | 2-year protection |



+32 (0)56 44 18 90

Blokkestraat 51

B-8550 Zwevegem

Copyright
© JUUNOO NV

JUUNOO